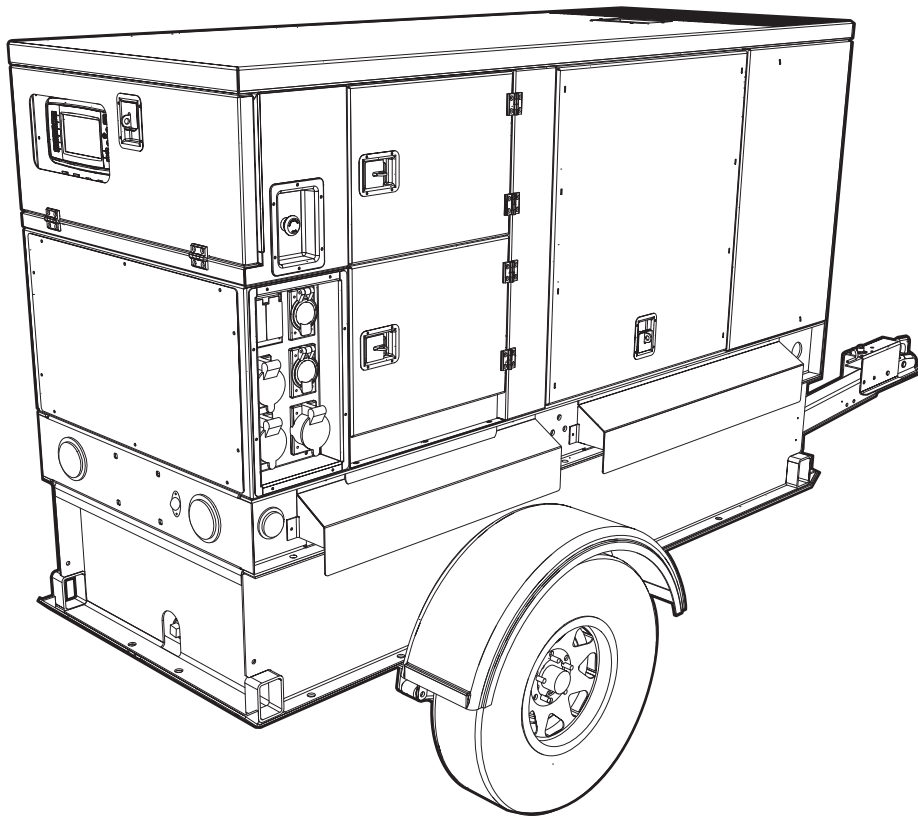


MMG55DF4

Diesel Generator Parts Manual



02655

MODEL NUMBER: _____

SERIAL NUMBER: _____

DATE PURCHASED: _____

SAVE THIS MANUAL FOR FUTURE REFERENCE

 **WARNING**

CANCER AND REPRODUCTIVE HARM

www.P65Warnings.ca.gov.

(000393a)

 **WARNING**

Breathing diesel engine exhaust exposes you to chemicals known to the State of California to cause cancer and birth defects or other reproductive harm.

- Always start and operate the engine in a well-ventilated area.
- If in an enclosed area, vent the exhaust to the outside.
- Do not modify or tamper with the exhaust system.
- Do not idle the engine except as necessary.

For more information go to

www.P65Warnings.ca.gov/diesel.

(000394)

Introduction

This parts manual was prepared based on the information available at the time of publication and is subject to change without notice. Generac Mobile Products reserves the right to change parts at any time. To check whether a revised parts manual is available, contact Generac Mobile Products.

DO NOT MODIFY or use this equipment for any application other than which it was designed for. To keep your equipment fully operational, it is suggested you maintain a stock of commonly used maintenance or service parts. A recommended spare parts list can be found in the back of this manual. To order service parts, please go to www.generacmobileproducts.com or call Generac Mobile Products.



WARNING

Consult Manual. Read and understand manual completely before using product. Failure to completely understand manual and product could result in death or serious injury. (000100a)

WARNING

Environmental Hazard. Always recycle batteries at an official recycling center in accordance with all local laws and regulations. Failure to do so could result in environmental damage, death, or serious injury. (000228)

GENERAC MOBILE PRODUCTS LLC

215 Power Drive • Berlin, WI 54923 U.S.A.

Phone: 920-361-4442

FAX: 920-361-4416

Toll Free: 1-800-926-9768

www.generacmobileproducts.com

For technical or parts QUESTIONS, contact Generac Mobile Products Technical Service at 1-800-926-9768.

Engine Make: _____

Engine Serial Number: _____

Engine Model Number: _____

This Page Intentionally Left Blank

Table of Contents

Introduction	iii
General Information	1
Unit Decals - Exterior	2
Unit Decals - Interior	4
Unit Decals - Electrical Boxes	6
Enclosure Panels	8
Doors, Roof, and Front Enclosure To Unit	10
Left Side Door Assembly	12
Right Side Door Assembly	14
Electrical Boxes To Unit	16
Front Enclosure Assembly	18
AC Box Assembly (1 of 2)	20
AC Box Assembly (2 of 2)	22
Lug Box Assembly	24
Bottom Rear Box Assembly	26
Receptacle Panel Assembly	28
Control Box Assembly	30
Control Panel Assembly	32
Control Door Assembly	34
Lift Structure To Skid Assembly	36
Cooling System Assembly	38
Cooling System Hoses	40
Engine and Generator To Skid Assembly	42
Engine Assembly	44
Generator Assembly	46
Skid Assembly	48
Fuel Tank Assembly	50
Trailer Assembly - Single Axle	52
Trailer Assembly - Tandem Axle	54
Trailer Brake Lines - Single Axle	56
Trailer Brake Lines - Tandem Axle	58
Trailer Hitch Options	60
Recommended Spare Parts - Engine and Service Kits	62
Recommended Spare Parts - Electrical and Trailer	64

This Page Intentionally Left Blank

General Information

Products supplied may vary from the illustrations in this parts manual. Parts not shown in the illustration are indicated by a double dash (--) in the item column.

When ordering replacement parts, be prepared to provide the model number, serial number, part number, purchase order number (if required), customer ID, shipping address and desired shipping method.

Illustrated below are the unit identification tag and the VIN tag. These tags contain the model number, serial number, vehicle identification number (VIN) and tire loading information.

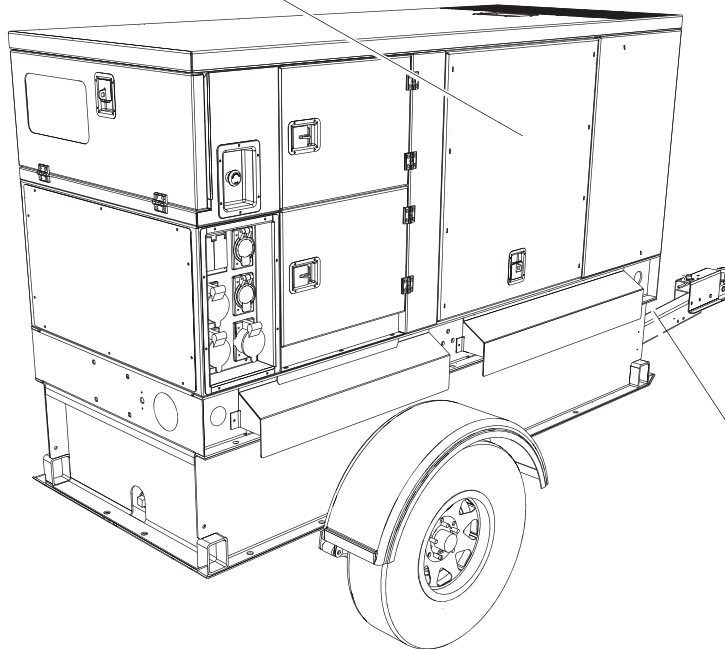
UNIT ID Tag

Manufactured by Generac Mobile Products, LLC.,
a subsidiary of Generac Power Systems, Inc.
(920) 301-4442 (920) 301-9768

Country of Origin	Model	Serial Number
Manufacturing Code	Weight (lb/kg)	RPM/Frequency
1 ph. 1.0PF	3 ph. 8PF	3 ph. 1.0PF
KW		Rating
KVA		Ins. Class
V		
A		

Form: UFG208

Located behind breaker door underneath breakers



VIN Tag

MANUFACTURED BY/FABRIQUE PAR: Generac Mobile Products LLC		DATE: 00/0000	
GVWR/PNEV: 000KG (0000LBS)		COLD INF. PRESS / PRESS. CIG	
GAWR / PNE	TIRE / PNEU	RM / JANTE	CONF A/TROID - KPA(P/SILPC) SGL / DUAL
<small>THE FEDERAL GOVERNMENT'S TITLE APPLICABLE STANDARDS PRELIMINARY UNDER THE U.S. FEDERAL MOTOR VEHICLE SAFETY STANDARDS PROGRAM AND CANADIAN MOTOR VEHICLE SAFETY REGULATIONS IN EFFECT ON THE DATE OF MANUFACTURE.</small>			
VIN: N.E.V. 000000000000000000		MODEL: XXX000	TYPE: TRAILER

TIRE AND LOADING INFORMATION
RENSEIGNEMENTS SUR LES PNEUS ET LE CHARGEMENT

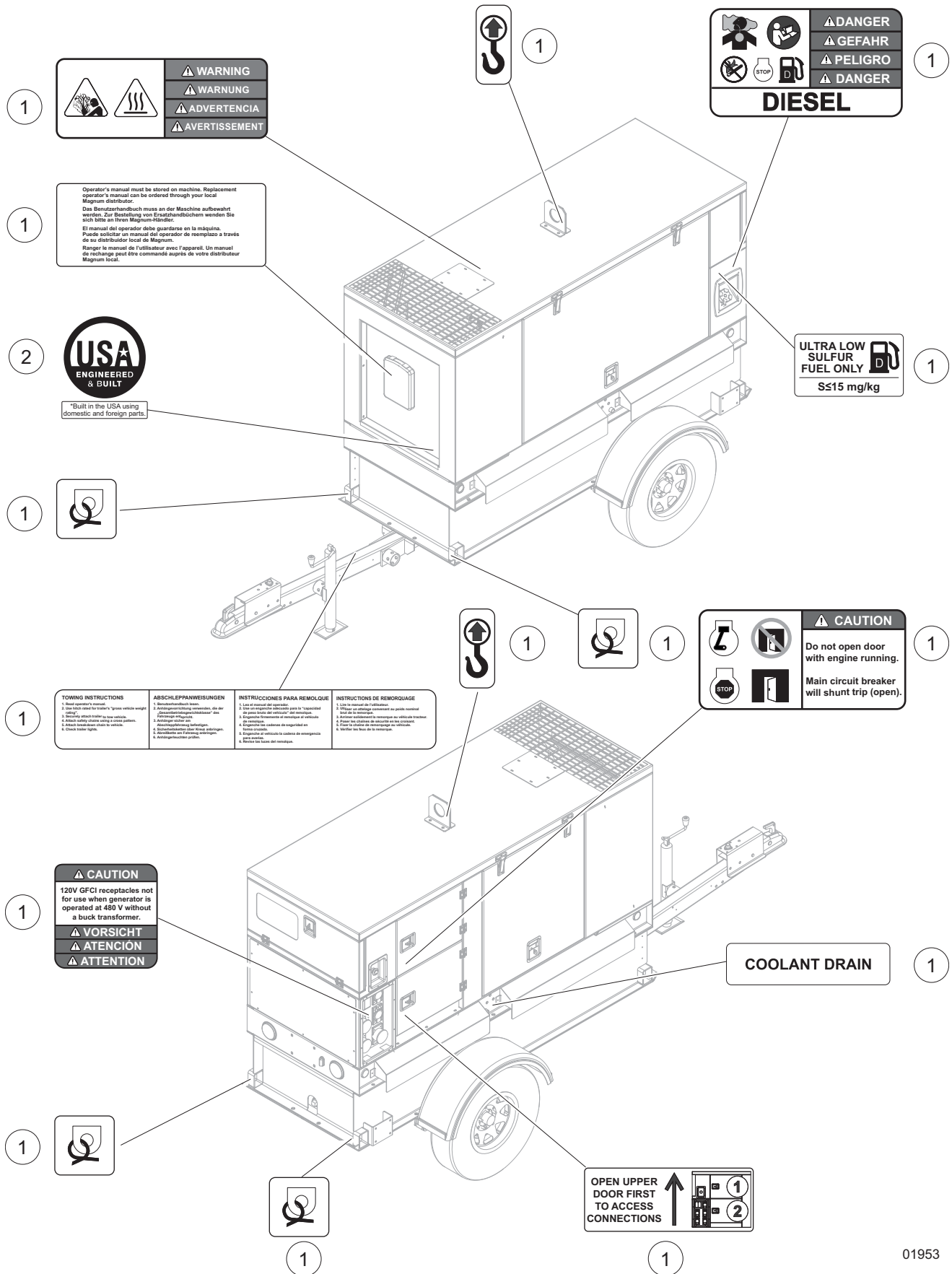
The weight of cargo should never exceed 0000KG (0000LBS).
Le poids du chargement ne doit jamais dépasser 0000KG (0000LBS).

SEE OWNER'S MANUAL FOR ADDITIONAL INFORMATION.
VOIR LE MANUEL DE L'USAGER POUR PLUS DE RENSEIGNEMENTS.

Located on opposite side of trailer

01028

UNIT DECALS - EXTERIOR

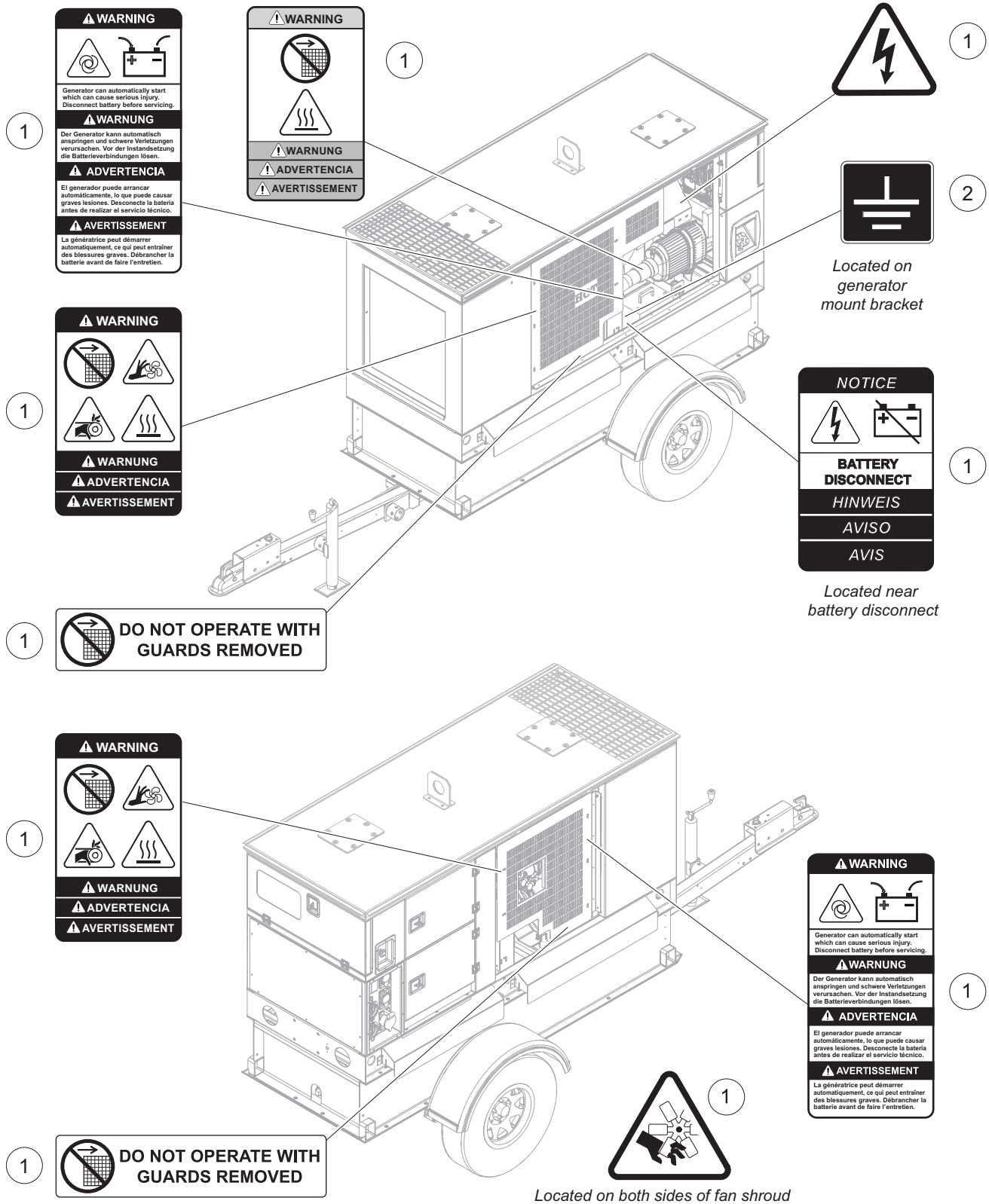


01953

UNIT DECALS - EXTERIOR

Item	Part No.	Qty	Description	Notes
1	A0001584151	1	Decal, safety - small F4	
2	50909	1	Decal, USA engineered & built	

UNIT DECALS - INTERIOR

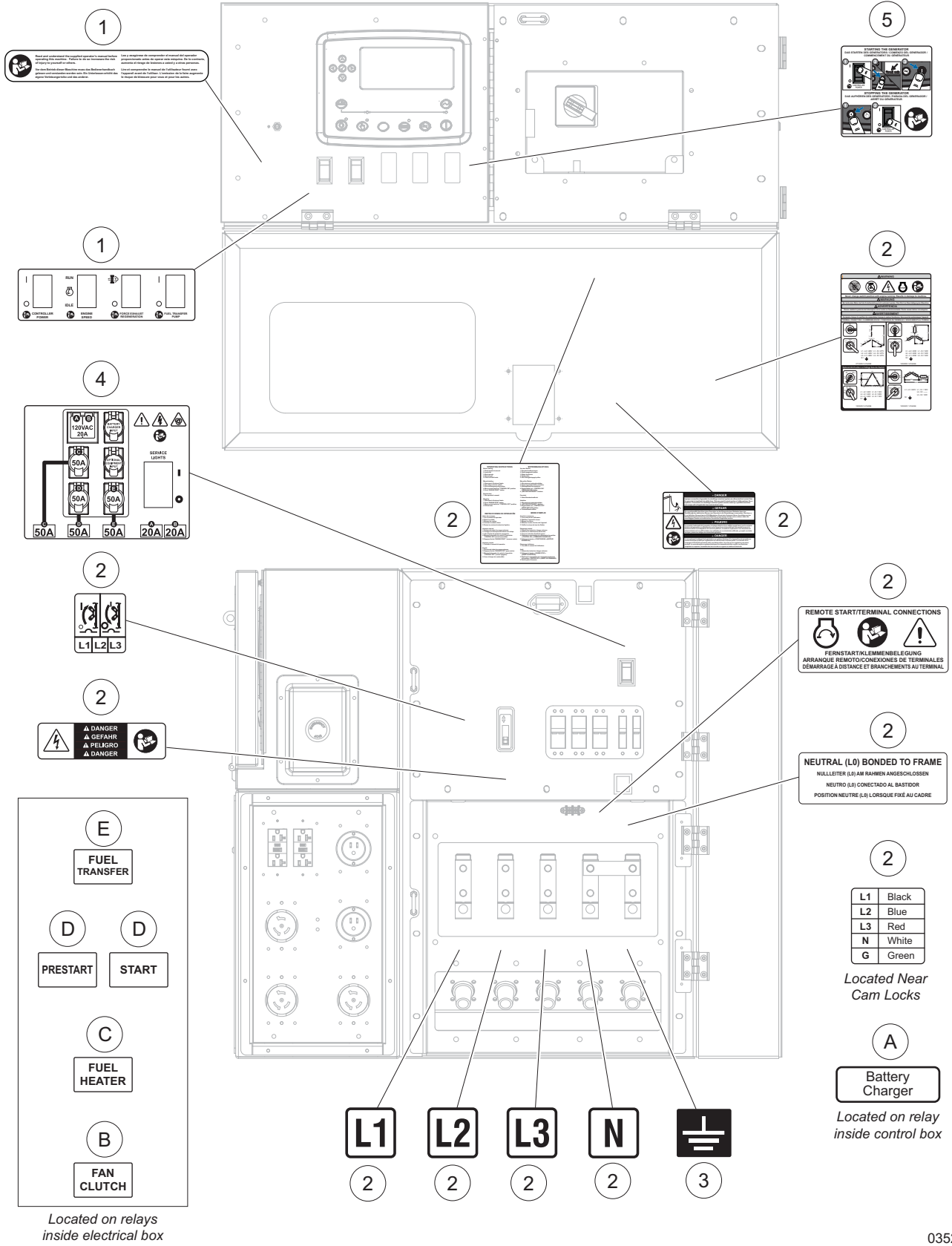


00000

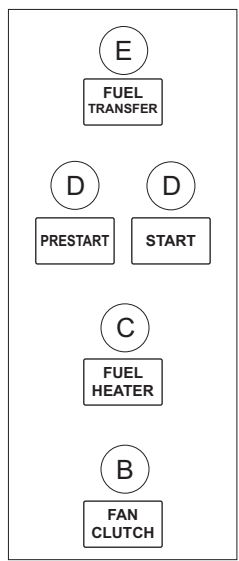
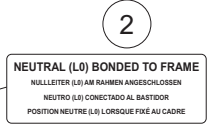
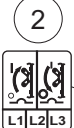
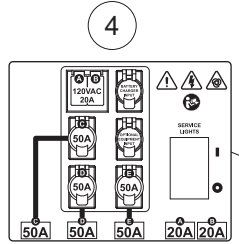
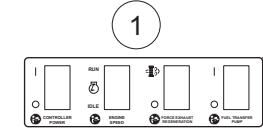
UNIT DECALS - INTERIOR

Item	Part No.	Qty	Description	Notes
1	37695	1	Decal, safety - small F4	
2	12142	1	Decal, ground	

UNIT DECALS - ELECTRICAL BOXES



1
 Read and understand the instructions in this manual before attempting to install, operate, or maintain this unit. Failure to do so could result in injury or property damage. Do not attempt to install, operate, or maintain this unit unless you are a qualified electrician or have been trained by a qualified electrician. For more information, contact your local electrician or the manufacturer.

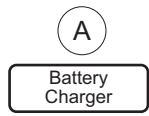


Located on relays inside electrical box

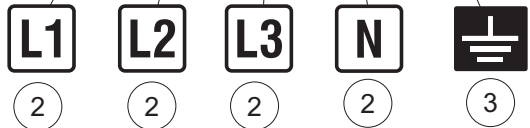
2

L1	Black
L2	Blue
L3	Red
N	White
G	Green

Located Near Cam Locks



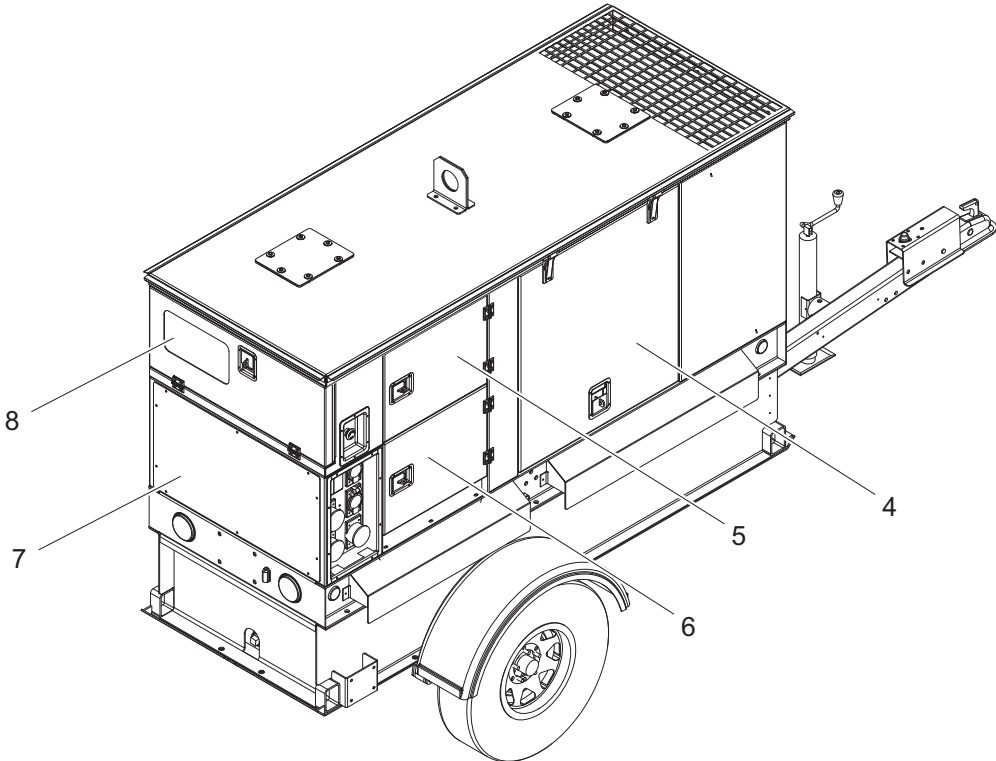
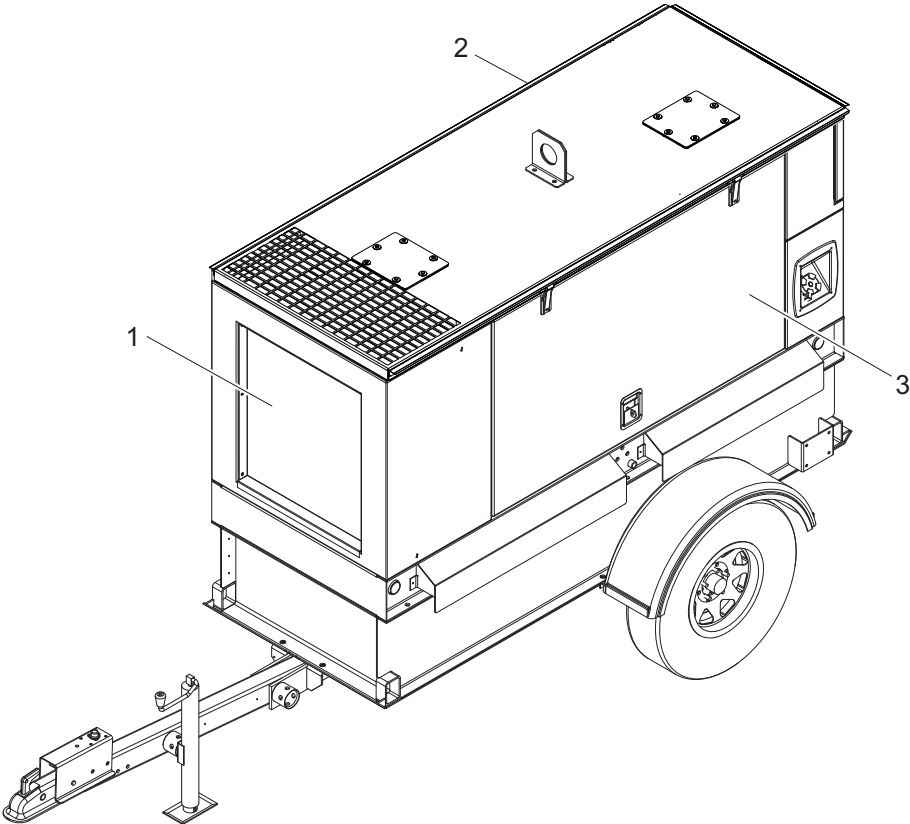
Located on relay inside control box



UNIT DECALS - ELECTRICAL BOXES

Item	Part No.	Qty	Description	Notes
1	52972	1	Decal, safety - small F4 control 5-position	
2	37695	1	Decal, safety - small F4	
3	12142	1	Decal, ground	
4	37820	1	Decal, breaker - small F4	
5	A0000639819	1	Decal, controller operation	

ENCLOSURE PANELS

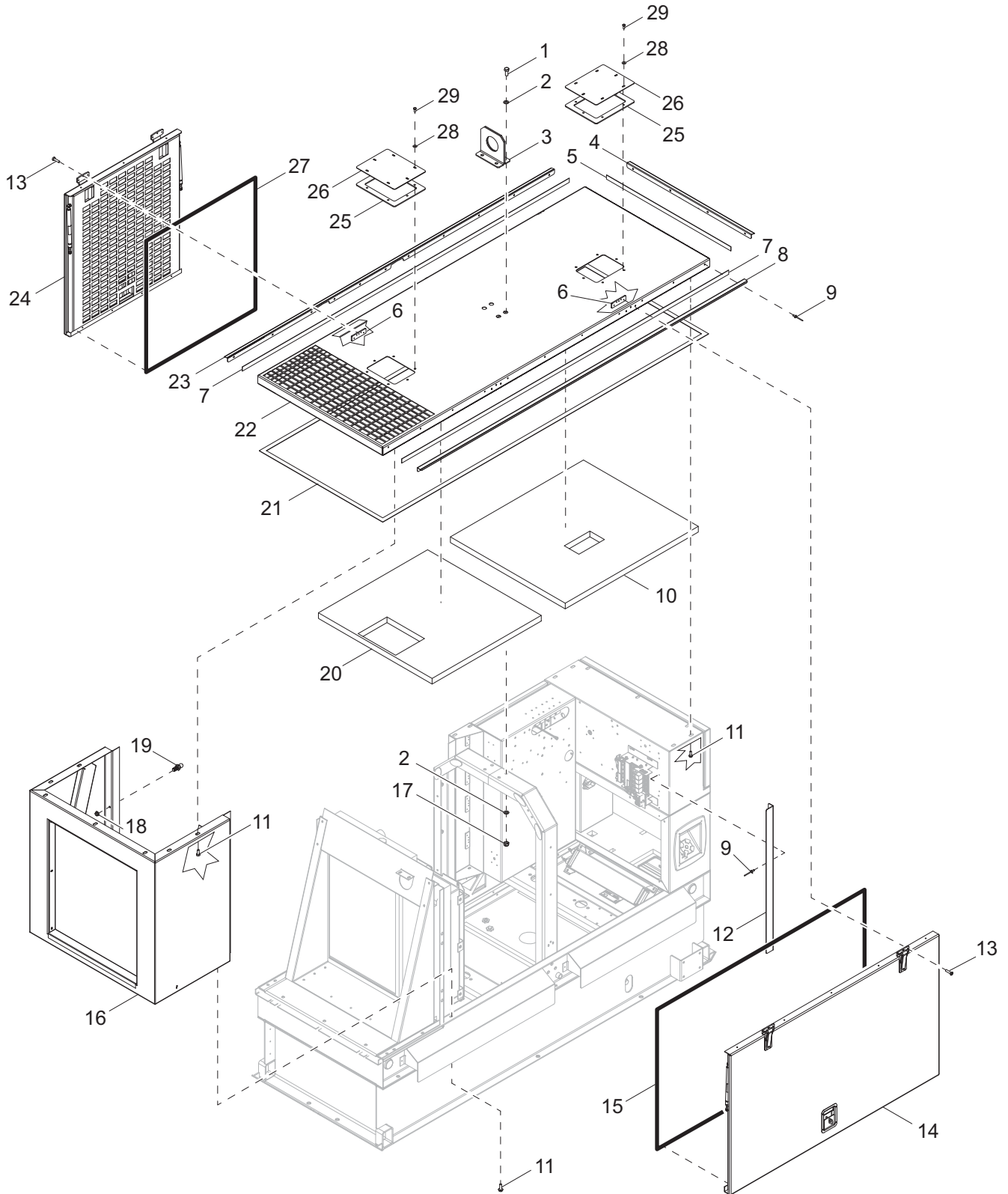


03529

ENCLOSURE PANELS

Item	Part No.	Qty	Description	Notes
1	10000036026	1	Front Enclosure Assembly	<i>Page 18</i>
2	A0000609001	1	Roof Assembly	<i>Page 10</i>
3	10000036235	1	Left Side Door Assembly	<i>Page 12</i>
4	10000036081	1	Right Side Door Assembly	<i>Page 14</i>
5	10000036046	1	Breaker Door Assembly	<i>Page 20</i>
6	10000036047	1	Lug/Cam Door Assembly	<i>Page 20</i>
7	10000036067	1	Bottom Rear Box Assembly	<i>Page 26</i>
8	10000036048	1	Control Door Assembly	<i>Page 34</i>

DOORS, ROOF, AND FRONT ENCLOSURE TO UNIT

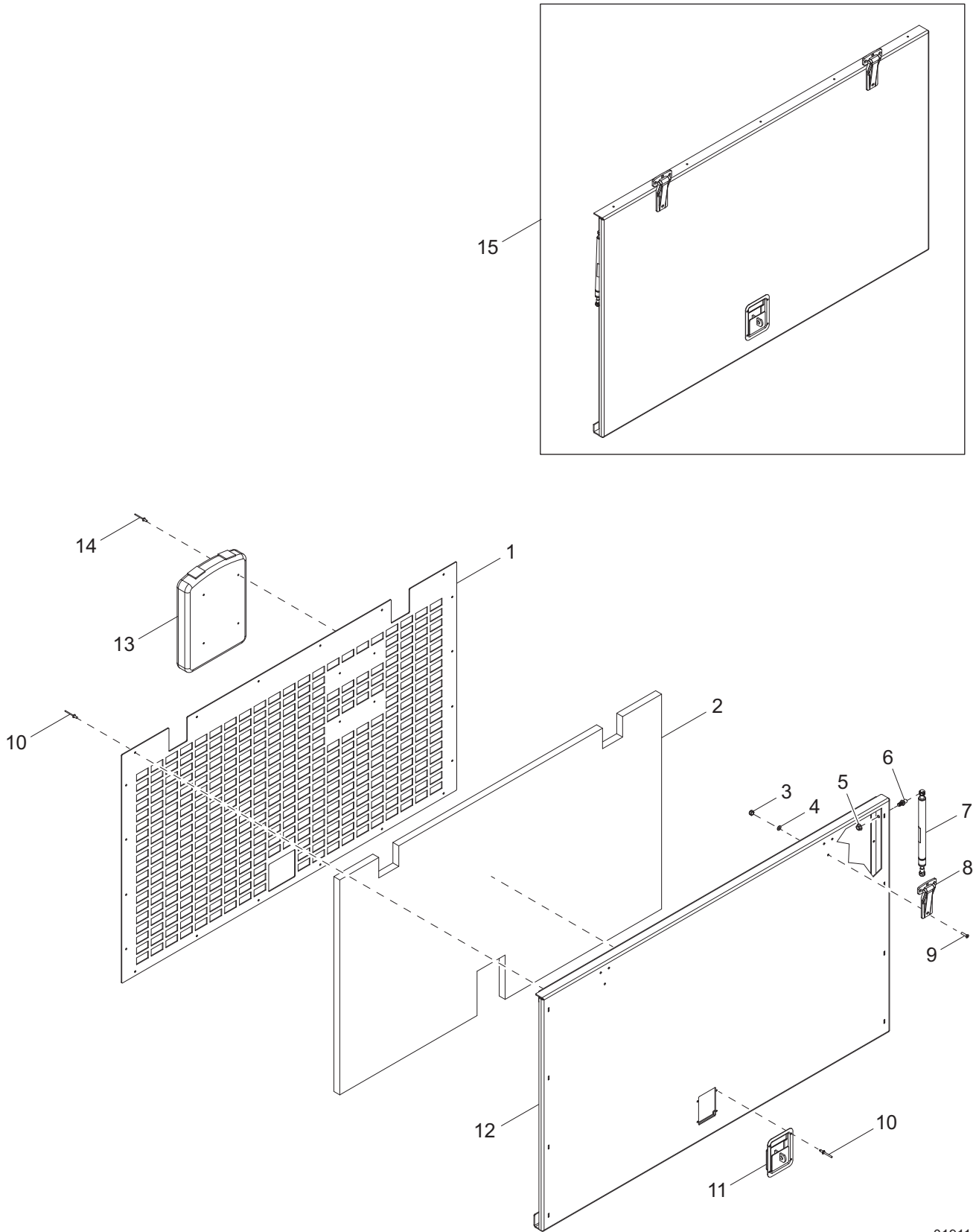


01912

DOORS, ROOF, AND FRONT ENCLOSURE TO UNIT

Item	Part No.	Qty	Description	Notes
1	60388	4	Screw, .500-13 x 1.50 standard hex, G5	
2	60309	8	Washer, .500 flat 1.060/.090	
3	37115B	1	Weldment, lifting eye	
4	A0001050171	1	Guard, rear rain	
5	50197	1	Weatherstripping, rear roof	
6	37136ZC	4	Plate, hinge back - threaded	
7	50197	2	Weatherstripping, side	
8	A0001050174	1	Guard, right side rain	
9	60268	6	Rivet, .188 diameter x .126 to .250 grip, SS	
10	37818SRV	1	Foam, roof - rear	
11	60616	25	Screw, .312-18 x .750 serrated flange hex, G5	
12	37544W	1	Flange, door	
13	35290	12	Screw, 10-24 x 1.0 flat Phillips, SS	
14	10000025062	1	Assembly, left side door	
15	50187	10.83 ft	Seal, door - D-shaped (.750)	
16	10000036026	1	Assembly, front enclosure	
17	62221	4	Nut, .500-13 nylock, G5	
18	60095	4	Nut, .312-18 serrated flange	
19	35293	4	Stud, ball - 10 mm, .312-18	
20	37816SRV	1	Foam, roof - front	
21	50197	16 ft	Weatherstripping - .06 x 1.0	
22	35728	1	Panel, roof	
23	A0001050172	1	Guard, curbside rain	
24	10000036081	1	Assembly, right side door	
25	39796	2	Gasket, roof access panel	
26	37214W	2	Panel, radiator access thru roof	
27	50187	8.5 ft	Seal, door - D-shaped (.750)	
28	60452	12	Washer, .313 flat 1.125/1.0 bonded rubber, SS	
29	60684	12	Screw, .250-20 x .875 standard hex, SS	

LEFT SIDE DOOR ASSEMBLY

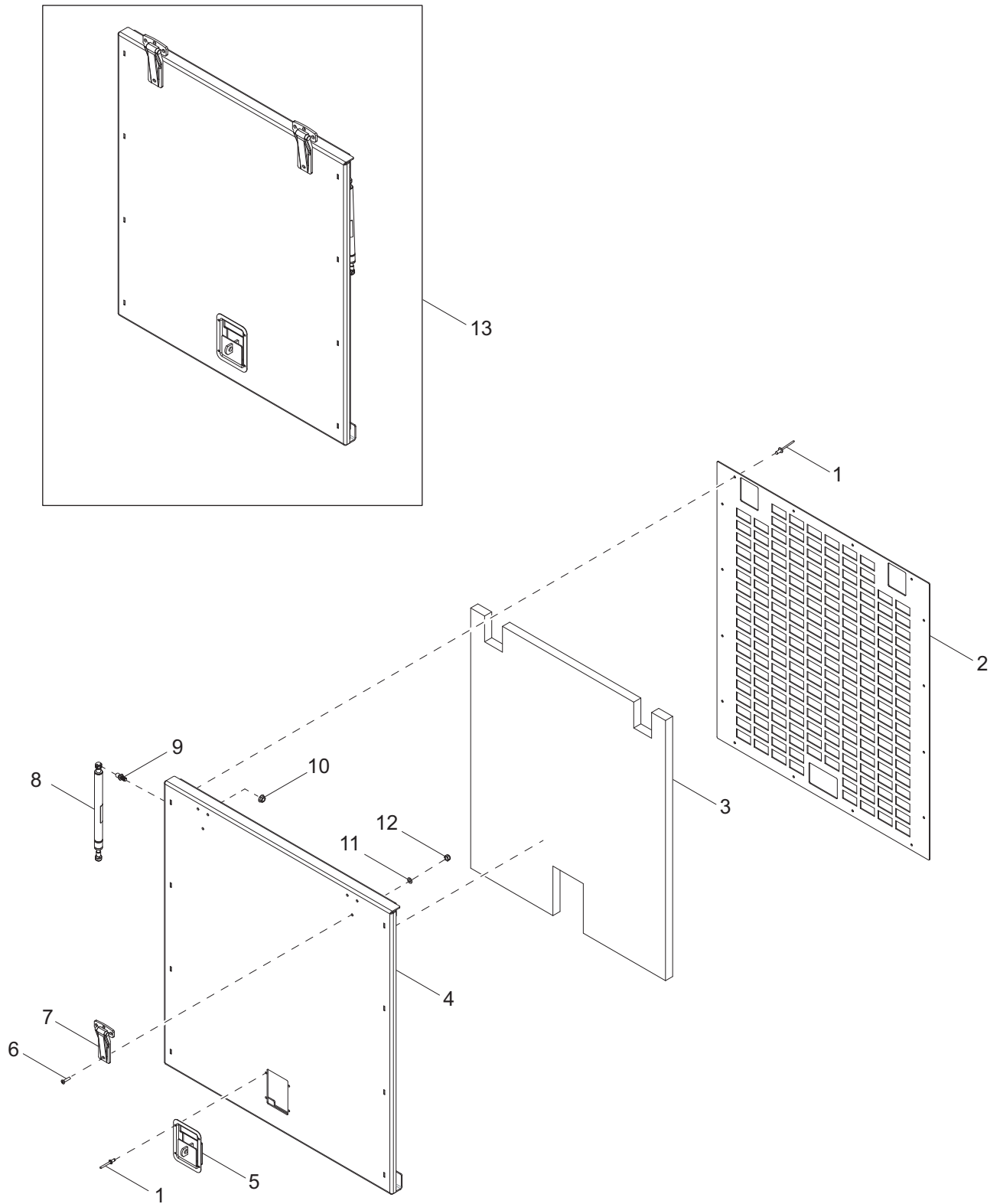


01911

LEFT SIDE DOOR ASSEMBLY

Item	Part No.	Qty	Description	Notes
1	37847W	1	Panel, inner	
2	10000036069	1	Foam, door	
3	60457	6	Nut, 10-24 nylock, G2	
4	60237	6	Washer, #10 flat .495/.036	
5	60095	2	Nut, .312-18 serrated flange	
6	35293	2	Stud, ball - 10 mm, .312-18	
7	37821	2	Shock, gas - 150 lb, 7 in. stroke	
8	35136	2	Hinge, flush mount	
9	35290	6	Screw, 10-24 x 1.0 flat head Phillips, SS	
10	60268	24	Rivet, .188 diameter x .126 to .250 grip, SS	
11	37145B	1	Latch, paddle - mini, black	
12	37845W	1	Weldment, large door	
13	24540	1	Manual holder	
14	60195	4	Rivet, .188 diameter x .375 to .500 grip	
15	10000025062	1	Assembly, left side door	Items 1-14

RIGHT SIDE DOOR ASSEMBLY

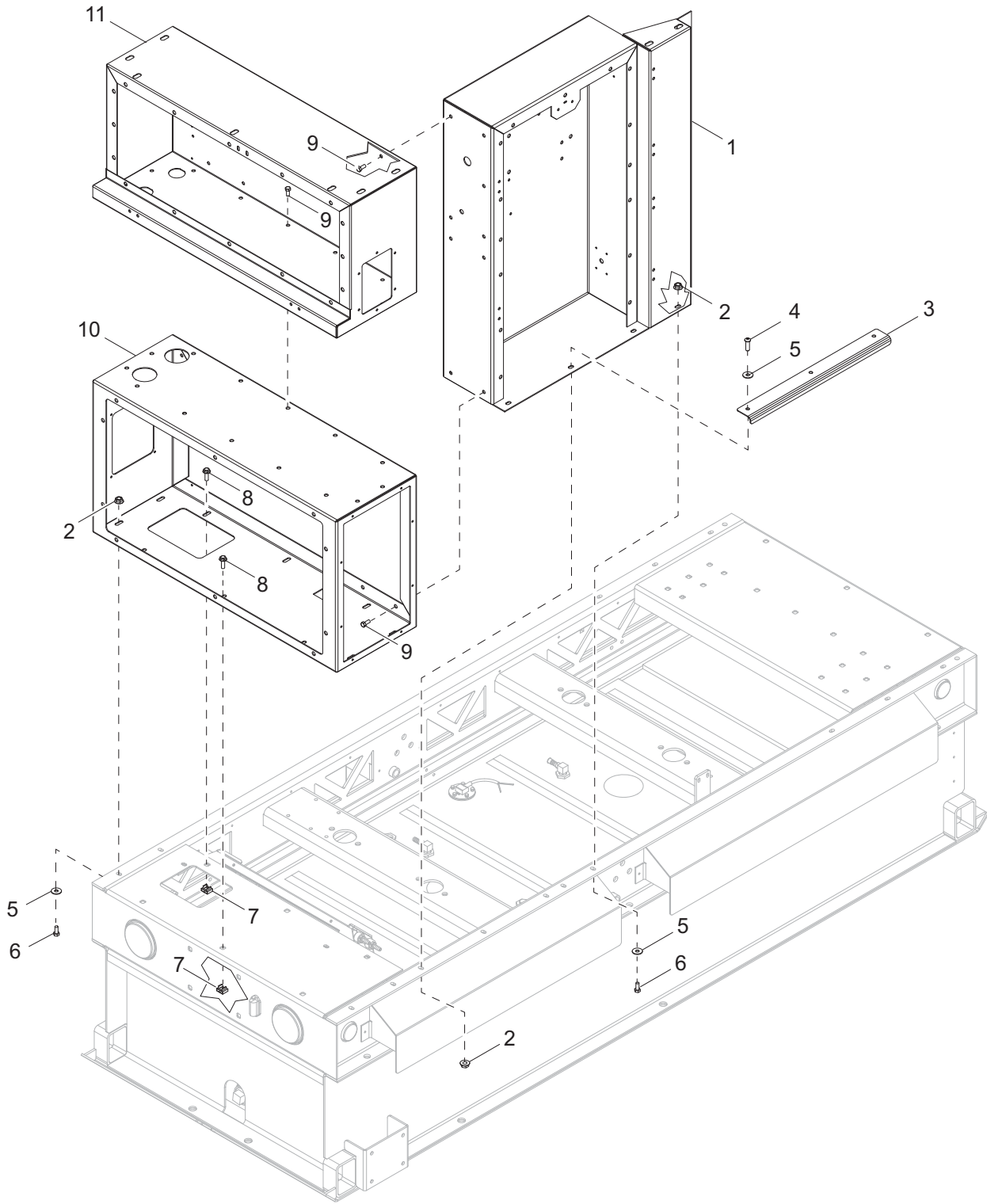


02065

RIGHT SIDE DOOR ASSEMBLY

Item	Part No.	Qty	Description	Notes
1	60268	20	Rivet, .188 diameter x .126 to .250 grip, SS	
2	37854W	1	Panel, inner	
3	37046SRV	1	Foam, door	
4	37852W	1	Weldment, small door	
5	37145B	1	Latch, paddle - mini, black	
6	35290	6	Screw, 10-24 x 1.0 flat head Phillips, SS	
7	35136	2	Hinge, flush mount	
8	37533	2	Shock, gas - 80 lbs, 6.75 in. stroke	
9	35293	2	Stud, ball - 10 mm, .313-18	
10	60095	2	Nut, .312-18 serrated flange	
11	60237	6	Washer, #10 flat .495/.036	
12	60457	6	Nut, 10-24 nylock, G2	
13	10000036081	1	Assembly, right side door	Items 1-12

ELECTRICAL BOXES TO UNIT

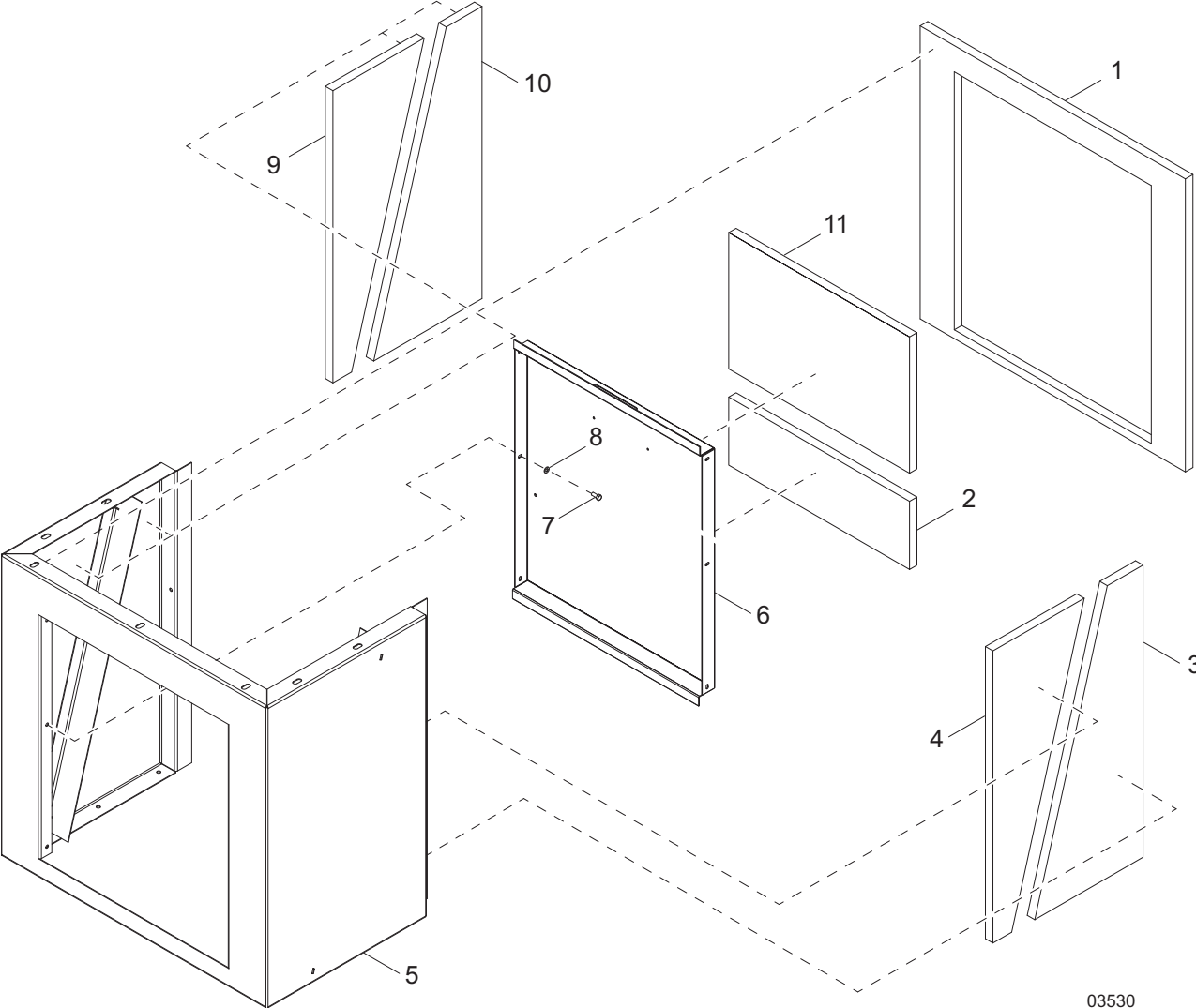


01099

ELECTRICAL BOXES TO UNIT

Item	Part No.	Qty	Description	Notes
1	10000036130	1	Assembly, AC box	
2	60095	7	Nut, .312-18 serrated flange	
3	37817B	1	Guide, cable	
4	60654	3	Screw, .312-18 x 1.0 button hex, SS	
5	60340	7	Washer, .312 flat .875/.040, SS	
6	60507	4	Screw, .312-18 x 1.0 standard hex, SS	
7	15425	5	Nut, .312-18 cage	
8	60616	5	Screw, .312-18 x .750 serrated flange hex, G5	
9	62052	23	Screw, .312-18 x .500 serrated flange hex, G5	
10	10000036067	1	Assembly, bottom rear box	<i>Page 26</i>
11	10000036077	1	Assembly, control box	<i>Page 30</i>

FRONT ENCLOSURE ASSEMBLY

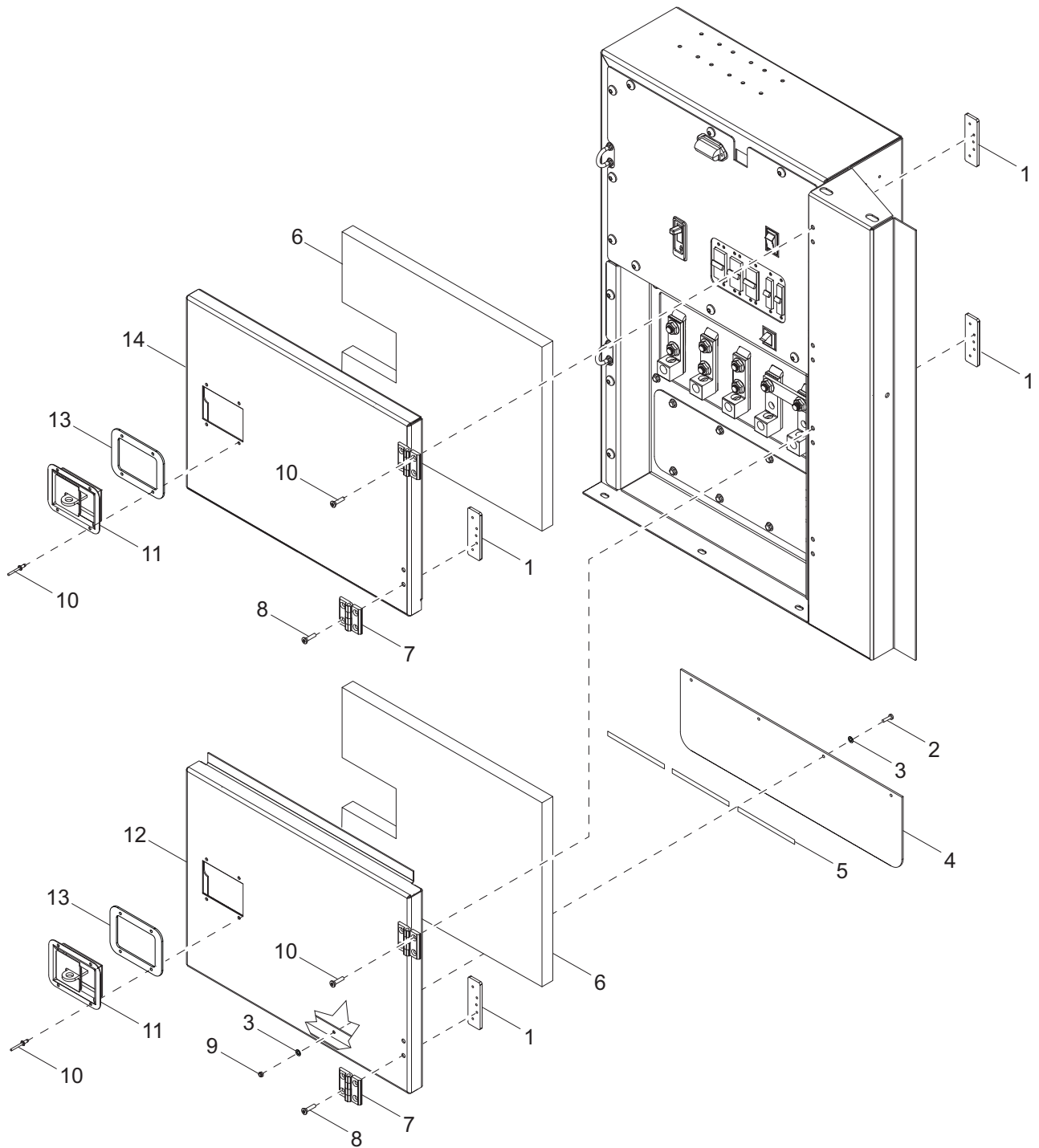


03530

FRONT ENCLOSURE ASSEMBLY

Item	Part No.	Qty	Description	Notes
1	37111SRV	1	Foam, front enclosure	
2	10000036114	1	Foam, front panel - lower	
3	37110SRV	1	Foam, front enclosure - left bottom	
4	37108SRV	1	Foam, front enclosure - left top	
5	51296W	1	Panel, front insert for deflector	
6	36932W	1	Weldment, front enclosure	
7	60620	6	Screw, .250-20 x 1.0 standard hex, SS	
8	60696	6	Washer, .250 flat .625/.050, SS	
9	37106SRV	1	Foam, front enclosure - right top	
10	37109SRV	1	Foam, front enclosure - right bottom	
11	10000036101	1	Foam, front panel - upper	

AC BOX ASSEMBLY (1 OF 2)

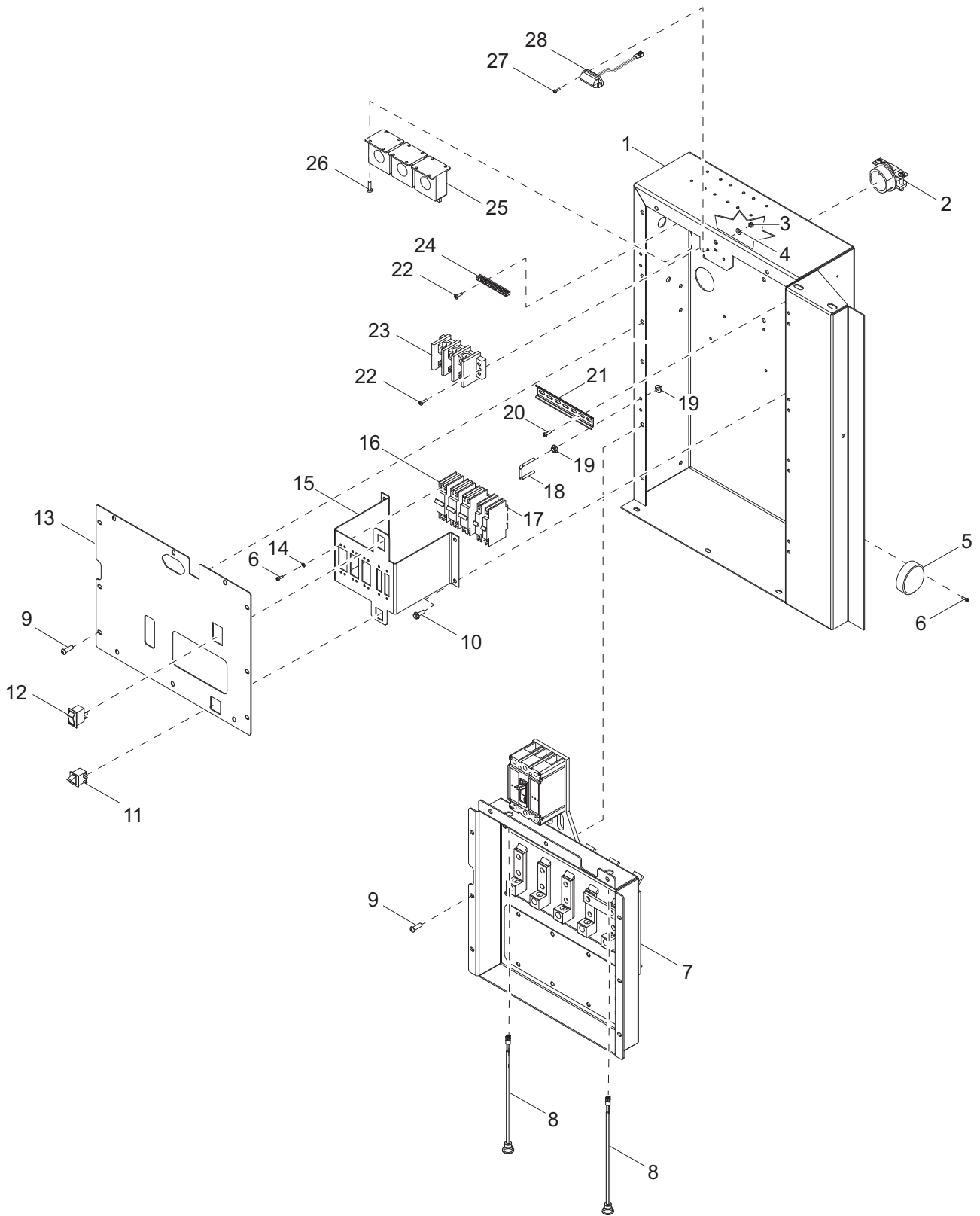


02658

AC BOX ASSEMBLY (1 OF 2)

Item	Part No.	Qty	Description	Notes
1	37136ZC	8	Plate, hinge back - threaded	
2	60540	4	Screw, 10-24 x .750 pan Phillips, SS	
3	60067	8	Washer, #10 flat .435/.060, SS	
4	35732	1	Flap, lug door	
5	50192	1.5 ft	Tape, .500 in., double sided, type VHB	
6	10000036120	2	Foam	
7	35394	4	Hinge, door	
8	35290	16	Screw, 10-24 x 1.0 flat head Phillips, SS	
9	60457	4	Nut, 10-24 nylock, G2	
10	60268	8	Rivet, .188 diameter. x .126 to .250 grip, SS	
11	37145B	2	Latch, paddle - mini	
12	35356W	1	Door, lug/cam door	
13	A0000061466	2	Gasket, door latch	
14	35355W	1	Door, breaker	
--	50187	8.2 ft	Weatherstripping - .06 x 1.0	

AC BOX ASSEMBLY (2 OF 2)



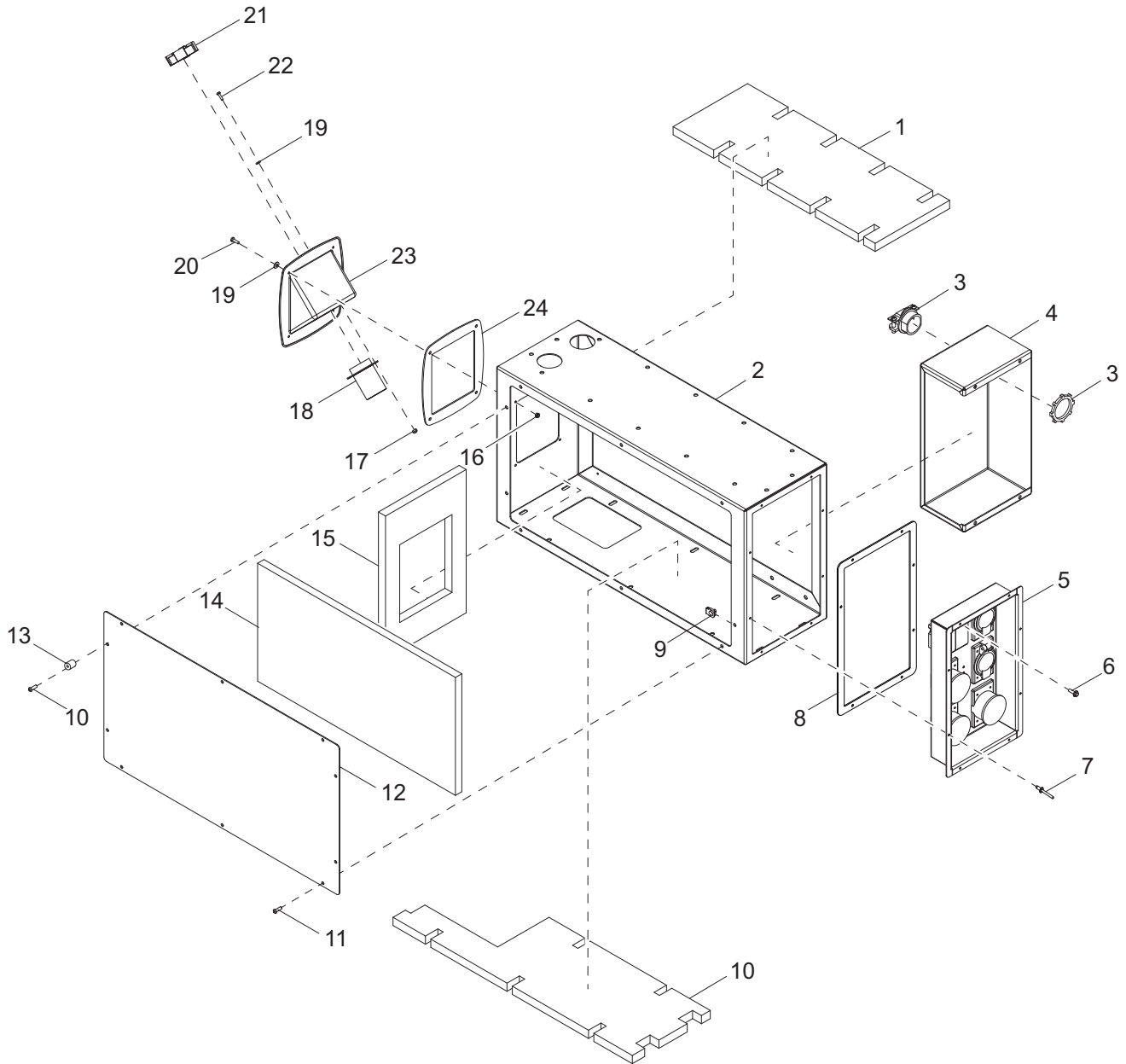
02659

Item	Part No.	Qty	Description	Notes
1	37226W	1	Weldment, AC box	
2	65788	1	Strain relief - 2.0 Romex w/nut	
3	60270	2	Nut, 8-32 nylock, class 6	
4	60269	2	Washer, #8 flat .433/.036	
5	68262	1	Assembly, LED light - 12V oval	
6	60046	20	Screw, 6-32 x .750 pan Phillips, G2	
7	10000033285	1	Assembly, lug box	Page 24
8	36964	2	Assembly, controls light	
9	69668	18	Screw, .312-18 x .750 button socket cap, G5	
10	60616	4	Screw, .312-18 x .750 serrated flange hex, G5	
11	66089	1	Switch, trigger safety, NO terminals	
12	66995	1	Switch, rocker - on/off	
13	37230W	1	Panel, AC box breaker	
14	60058	16	Washer, #6 split lock	
15	35387B	1	Bracket, breaker	
16	18092	3	Breaker, 50A, 240V, 2-pole	
17	18091	2	Breaker, 20A, 240V, 1-pole	
18	A0000616200	2	U-bolt, .250-20 x 1.0 ID x 1.75 square	
19	60161	8	Nut, .250-20 serrated flange, G5	
20	60062	2	Screw, 10-32 x .750 pan Phillips, G2	
21	67129	1	Rail, din - 35mm x 7.0 in	
22	60062	4	Screw, 10-32 x .750 pan Phillips, G2	
23	65356	1	Block, terminal - 3 pole, Bussman	
24	14204	1	Kit, ground bar	
25	65685	3	Transformer, current - terminals (200:5A)	
26	60277	12	Screw, 10-32 x .500 pan Phillips, G2	
27	60694	2	Screw, 8-32 x .750 pan Phillips, SS	
28	36879	1	Light, license plate	
--	68143	1	Wire group - power box	
--	50187	5.67 ft	Seal, door - D-shaped	Used on item 24
--	50187	4.10 ft	Seal, door - D-shaped	Used on item 18
--	68113	1	Assembly, terminal block - PT2.5, 7 position	
<i>Buck Transformer: (if equipped)</i>				
--	66340	1	Relay, voltage sensing (132 in, 126 out)	
--	65644	1	Base, relay - 8 position	
--	65461	1	Relay, 30A DPDT 120VAC power	

LUG BOX ASSEMBLY

Item	Part No.	Qty	Description	Notes
1	37446	1	Panel, Glastic lug/breaker	
2	61103	10	Screw, .500-13 x 1.750 serrated flange hex	
3	60095	4	Nut, .312-18 serrated flange	
4	35389	5	Bus, lug	
5	65677	5	Lug, terminal single - 2 hole	
6	37218	1	Bus, neutral to ground	
7	60098	10	Nut, .500-13 serrated flange	
8	37336B	1	Plate, cams block-off	
9	37219W	1	Panel, lug/cam	
10	61091	4	Screw, .312-18 x 1.0 serrated flange hex, G5	
11	69668	8	Screw, .312-18 x .750 button head, G5	
12	60488	2	Screw, 8-32 x .750 pan Phillips, G2, self tapping	
13	68080	1	Block, terminal - 2 position feed thru	
14	35388	1	Panel, Glastic lug	
15	60159	4	Screw, M4-.70 x 45 pan Phillips, G4.8	
16	65452	1	Breaker, 225A	not included with 10000033285
17	60051	4	Nut, M4-.7 nylock, G8.8	
<i>Cam Locks: (if equipped)</i>				
A	69668	8	Screw, .312-18 x .750 button head, G5	
B	37221B	1	Panel, cam lock	
C	60061	20	Nut, 10-32 nylock	
D	60237	20	Washer, #10 flat .495/.036	
E	60062	20	Screw, 10-32 x .750 pan Phillips, G2	
F	66041	1	Connector, cam lock flange female, 400A, green	
G	66040	1	Connector, cam lock flange female, 400A, white	
H	65553	1	Connector, cam lock flange female, 400A, blue	
J	65552	1	Connector, cam lock flange female, 400A, red	
K	65551	1	Connector, cam lock flange female, 400A, black	
--	68179	1	Wire group - cam locks, single	

BOTTOM REAR BOX ASSEMBLY

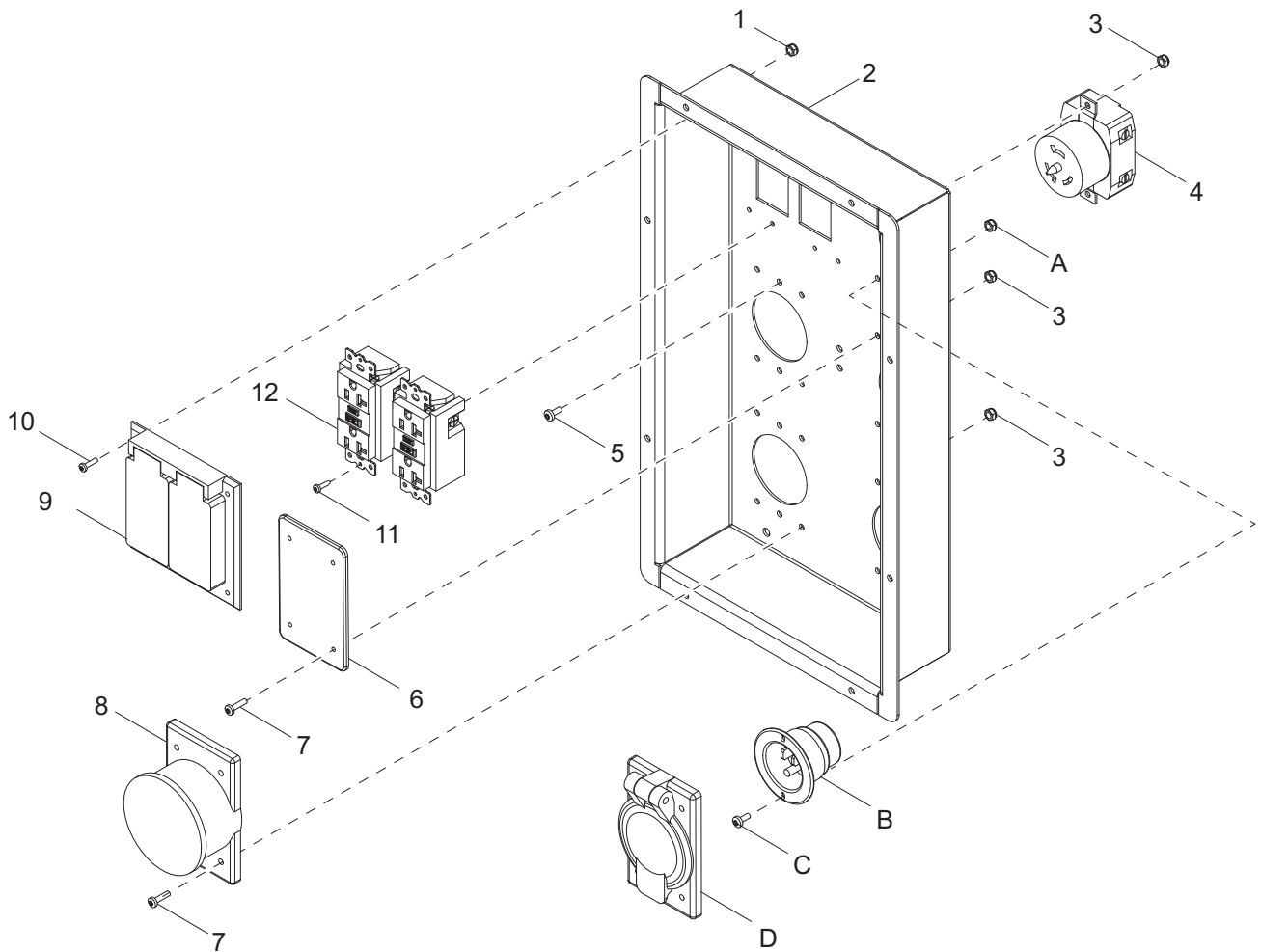


01910

BOTTOM REAR BOX ASSEMBLY

Item	Part No.	Qty	Description	Notes
1	10000018640	1	Foam, bottom rear box - top	
2	35413W	1	Box, bottom rear	
3	65788	1	Strain relief - 2.0 Romex w/nut	
4	37229B	1	Panel, buck transformer mounting	
5	10000036131	1	Assembly, receptacle panel	
6	60479	4	Screw, .250-20 x 1.0 serrated flange hex, G5	
7	60260	8	Rivet, .188 diameter x .375 to .500 grip, SS	
8	10000047339	1	Gasket, receptacle box	
9	61143	10	Nut, .250-20 U-clip - short type	
10	10000018611	1	Foam, bottom rear box - lower	
11	68070	10	Screw, .250-20 x 1.0 button hex, SS	
12	37231W	1	Panel, bottom rear box	
13	37869	2	Bumper, round - 1.25 diameter x 1.25H	
14	10000018631	1	Foam, bottom rear box - face	
15	10000018621	1	Foam, bottom rear box - side	
16	60457	4	Nut, 10-24 nylock, G2	
17	60530	3	Nut, 10-24 nylock, SS	
18	18506	1	Port, fuel fill	
19	60067	7	Washer, #10 flat .435/.060, SS	
20	60540	4	Screw, 10-24 x .750 pan Phillips, SS	
21	18648	1	Cap, fuel fill w/gasket	
22	60529	3	Screw, 10-24 x .6258 pan Phillips, SS	
23	37626B	1	Weldment, filler tube and flange - 2.75 in. OD	
24	10000047413	1	Gasket, fuel fill	

RECEPTACLE PANEL ASSEMBLY



02660

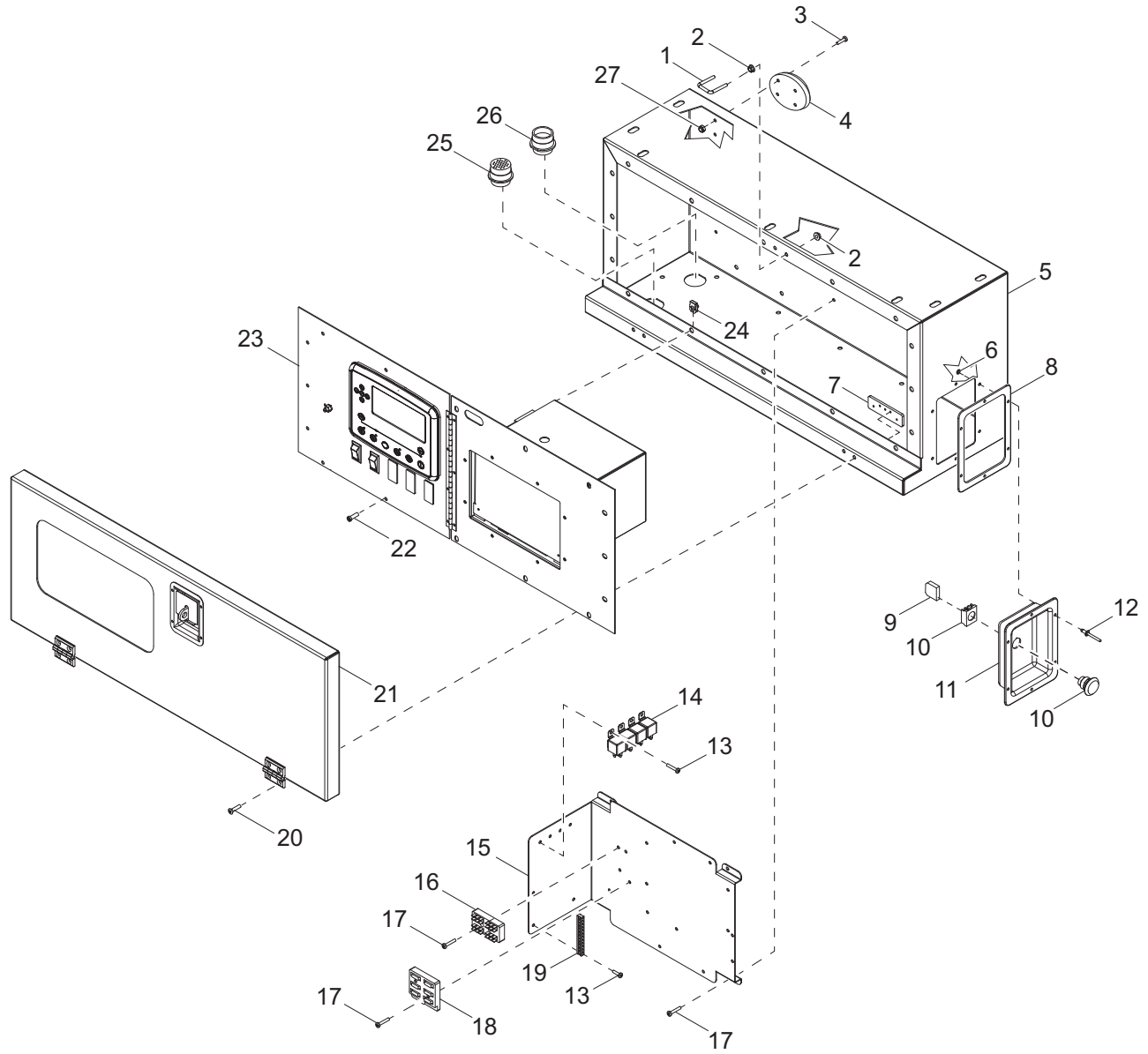
RECEPTACLE PANEL ASSEMBLY

Item	Part No.	Qty	Description	Notes
1	60290	4	Nut, 6-32 nylock, SS	
2	35415B	1	Panel, receptacle	
3	60270	26	Nut, 8-32 nylock, class 6	
4	18089	3	Receptacle, 240V/50A twist-lock	
5	62054	6	Screw, 8-32 x .500 pan Phillips, SS	
6	68453	2	Cover, receptacle - block off	
7	60694	20	Screw, 8-32 x .750 pan Phillips, SS	
8	65467	3	Cover, receptacle - weatherproof 50A twist	
9	15849	1	Cover, receptacle - weatherproof 20A GFCI dual	
10	62210	4	Screw, 6-32 x .500 pan Phillips, SS	
11	60424	4	Screw, 6-32 x .750 pan Phillips, G2, self threading	
12	14130	2	Receptacle, 120V/20A GFCI	

Receptacles: (if equipped)

A	60728	4	Nut, 6-32 nylock, G5
B	65285	2	Receptacle, 120V/15A inlet (Edison)
C	61193	4	Screw, 6-32 x .375 pan Phillips, SS
D	36939	2	Cover, receptacle - weatherproof 20/30A

CONTROL BOX ASSEMBLY



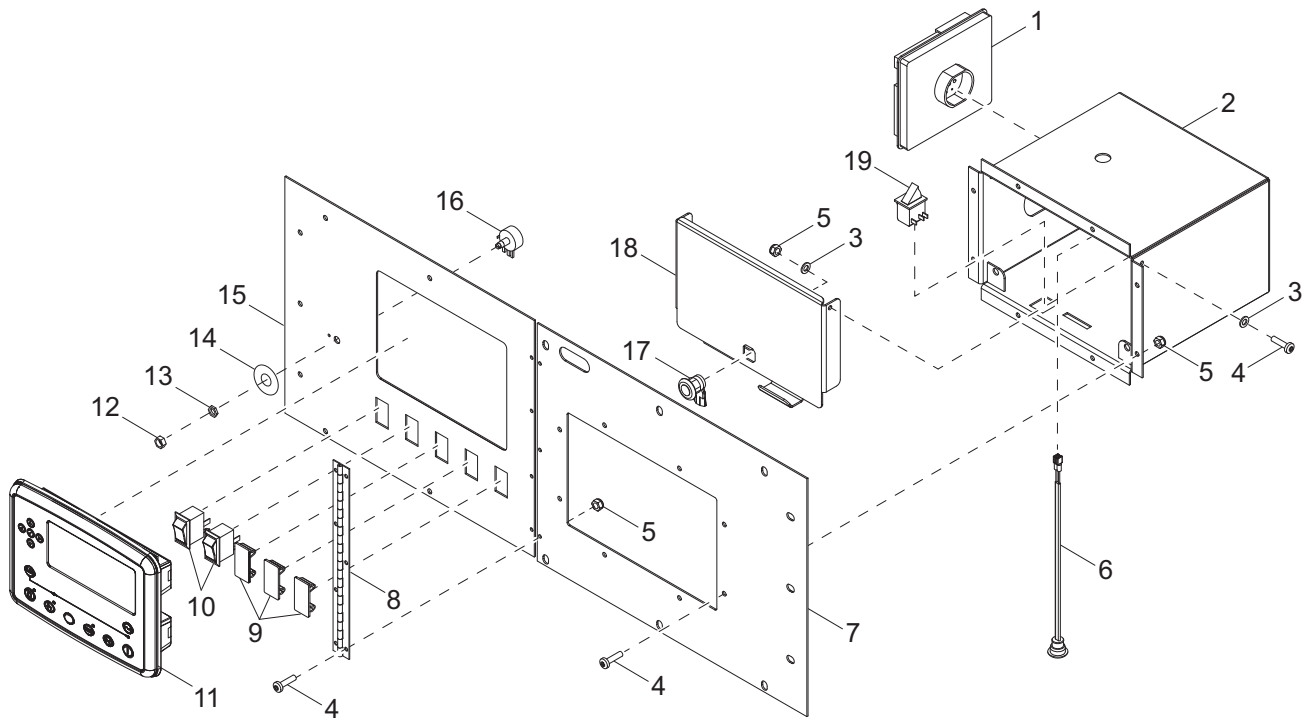
03532

CONTROL BOX ASSEMBLY

Item	Part No.	Qty	Description	Notes
1	A0000616200	2	U-bolt, .250-20 x 1.0 ID x 1.75 square	
2	60161	4	Nut, .250-20 serrated flange, G5	
3	60046	4	Screw, 6-32 x .750 pan Phillips, G2	
4	68262	1	Light, assembly - 12V LED oval	
5	35348W	1	Box, control	
6	60067	6	Washer, #10 flat .435/.060, SS	
7	37136ZC	2	Plate, hinge back - threaded	
8	A0001583367	1	Gasket, E-stop	
9	65580	1	Block, emergency stop contactor - NC	
10	65470	1	Switch, emergency stop operator	
11	30645	1	Panel, emergency stop	
12	60260	6	Rivet, .188 diameter x .375 to .500 grip, SS	
13	60062	6	Screw, 10-32 x .750 pan Phillips, G2	
14	68106	4	Relay, 12V 30/50A NO w/diode	
15	37481W	1	Bracket, DC controls	
16	66992	1	Block, terminal - 4 x 6 push-on	
17	60277	12	Screw, 10-32 x .500 pan Phillips, G2	
18	68203	1	Fuse holder, 6 bank, type mini	
19	14204	1	Kit, ground bar	
20	35290	4	Screw, 10-24 x 1.0 flat Phillips, SS	
21	10000036048	1	Assembly, control door	
22	68070	16	Screw, .250-20 x 1.0 button hex, SS	
23	A0000445886	1	Assembly, control panel	<i>Page 32</i>
24	61143	16	Nut, .250-20 U-clip - short type	
25	28704	1	Connector, Deutsch 31 position receptacle	
26	65309	1	Connector, Deutsch 21 position receptacle	
27	60728	4	Nut, 6-32 nylock, G5	
28	10000047047	1	Gasket, E-stop	
--	68130	1	Harness, control box	

Note: To order replacement controller, contact Generac Mobile Products with unit serial number

CONTROL PANEL ASSEMBLY



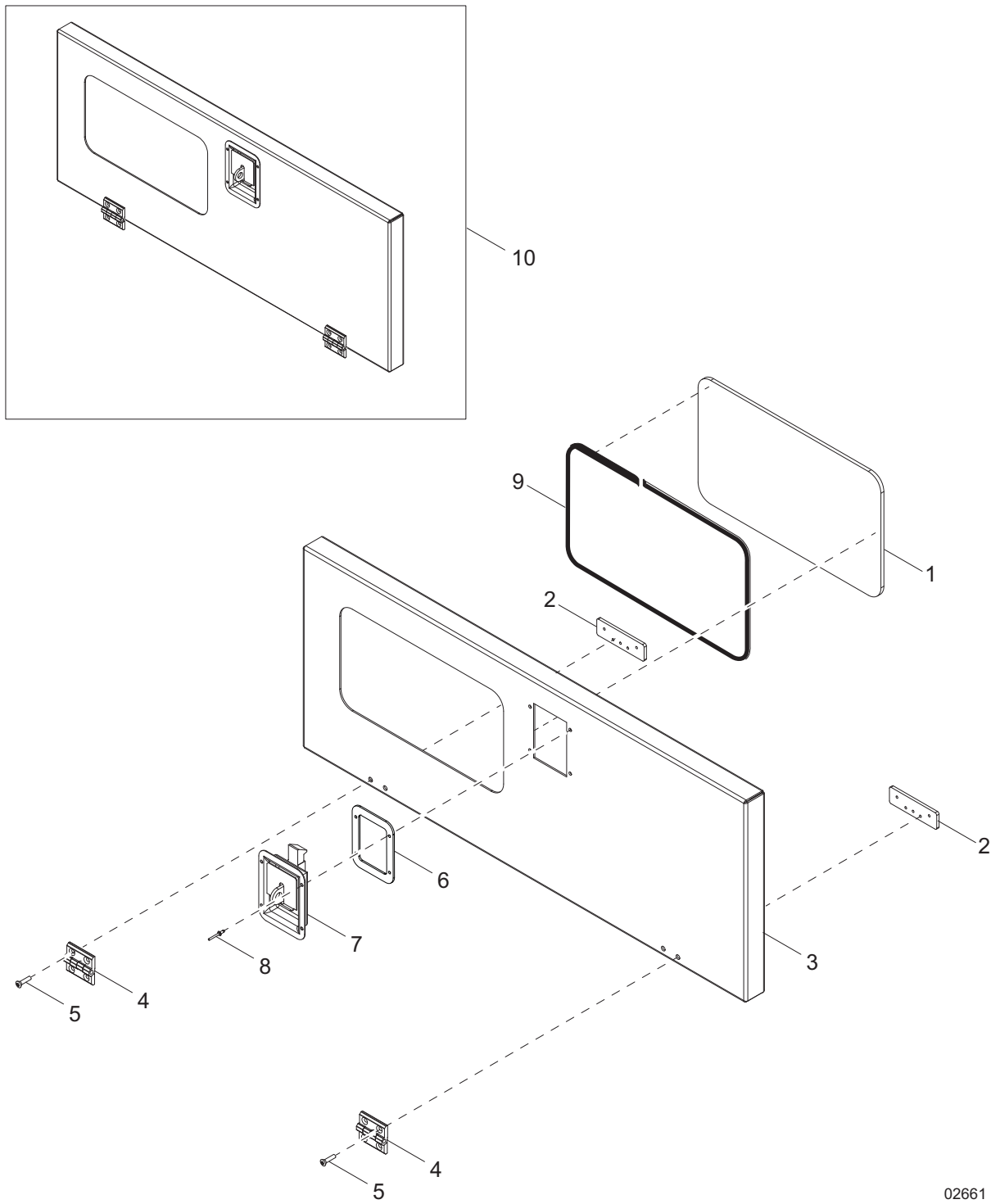
03533

CONTROL PANEL ASSEMBLY

Item	Part No.	Qty	Description	Notes
1	36364	1	Regulator, voltage - PM500	
2	37129W	1	Weldment, phase switch box	
3	60237	4	Washer, #10 flat .495/.036	
4	60277	17	Screw, 10-32 x .500 pan Phillips, G2	
5	60061	17	Nut, 10-32 nylock	
6	36964	1	Assembly, controls light	
7	37490W	1	Panel, phase switch	
8	13677	1	Hinge, continuous - 11.0 in	
9	34439	2	Plug, panel switch - 1.91 x .96	
10	66995	2	Switch, rocker - on/off	
11	A0000223086*	1	Controller, DSE 7310	
12	-	1	Nut, with potentiometer	with Item 18
13	-	1	Nut, with potentiometer	with Item 18
14	18934	1	Decal, potentiometer guard	
15	A0000175356	1	Panel, control DSE7310	
16	18113	1	Potentiometer, 2.5K 2 watt	
17	20762	1	Lock, door - 1/4 turn cam	
18	37824W	1	Door, phase switch	
19	66089	1	Switch, trigger safety - NO terminals	

Note: *To order replacement controller, contact Generac Mobile Products with unit serial number

CONTROL DOOR ASSEMBLY

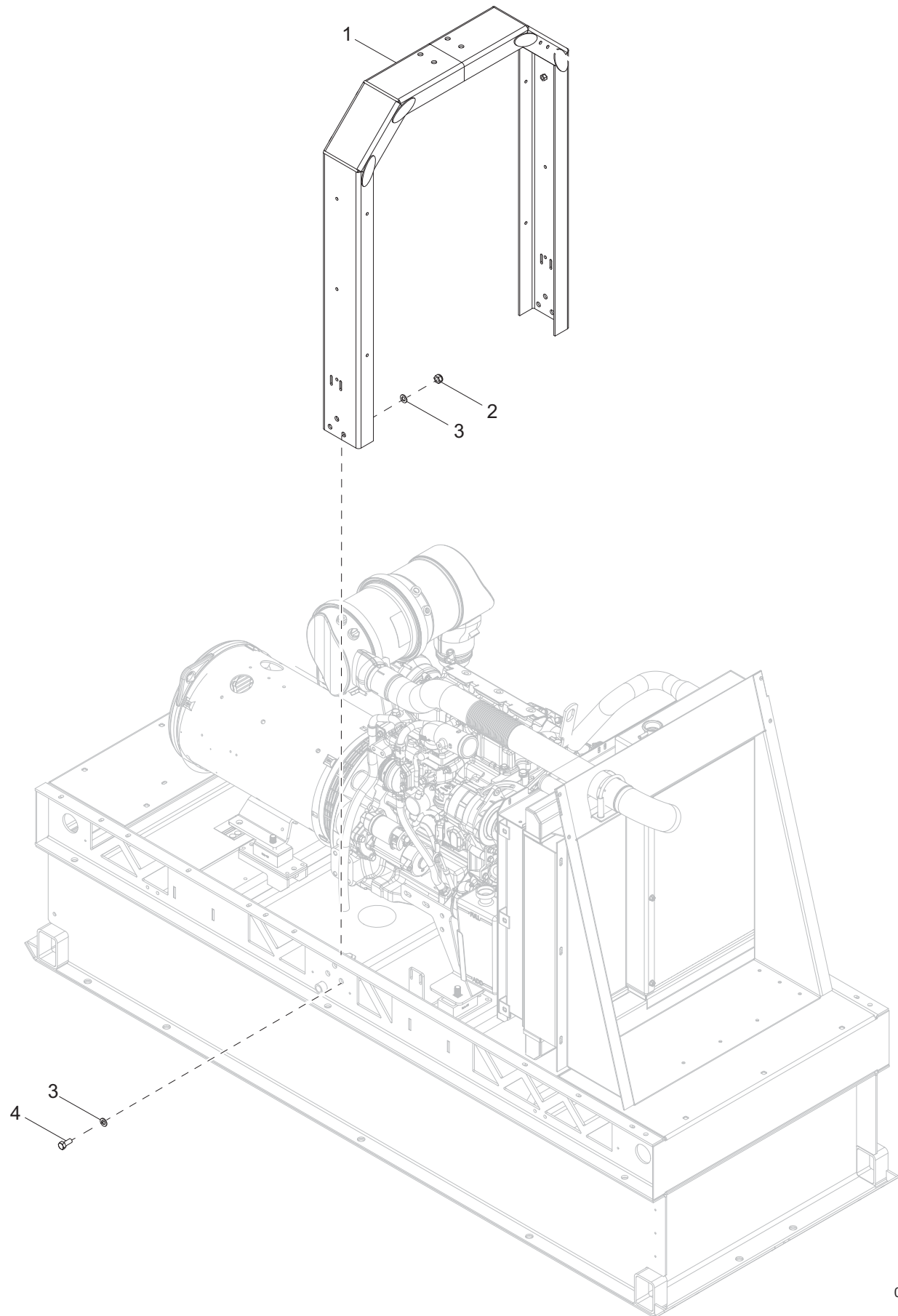


02661

CONTROL DOOR ASSEMBLY

Item	Part No.	Qty	Description	Notes
1	35854	1	Window, control door - UV	
2	37136ZC	2	Plate, hinge back	
3	35346W	1	Door, control	
4	35394	2	Hinge, door	
5	35290	4	Screw, 10-24 x 1.0 flat head Phillips, SS	
6	A0000061466	1	Gasket, door latch	
7	37145B	1	Latch, paddle - mini, black	
8	60268	4	Rivet, .188 diameter x .126 to .250 grip, SS	
9	50192	4 ft	Tape, .500 in., double sided, type VHB	
10	A0000061466	1	Gasket, door	
11	10000036048	1	Assembly, control door	Items 1-8
--	50187	8.08 ft	Seal, door - D-shaped (.750)	

LIFT STRUCTURE TO SKID ASSEMBLY

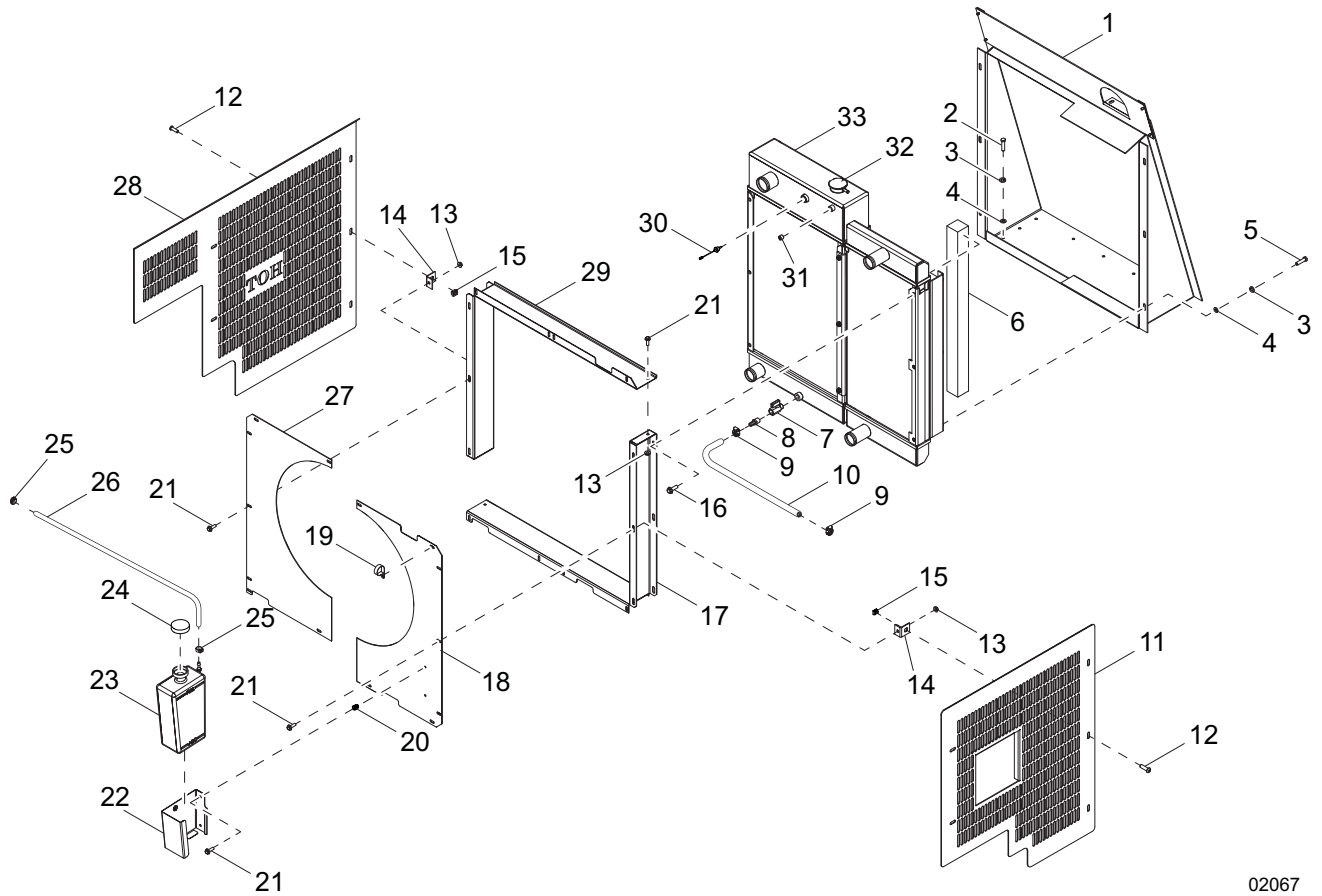


02662

LIFT STRUCTURE TO SKID ASSEMBLY

Item	Part No.	Qty	Description	Notes
1	52416B	1	Weldment, lift structure	
2	62221	6	Nut, .500-13 nylock, G5	
3	60309	12	Washer, .500 flat 1.060/.090	
4	60388	6	Screw, .500-13 x 1.50 standard hex, G5	

COOLING SYSTEM ASSEMBLY

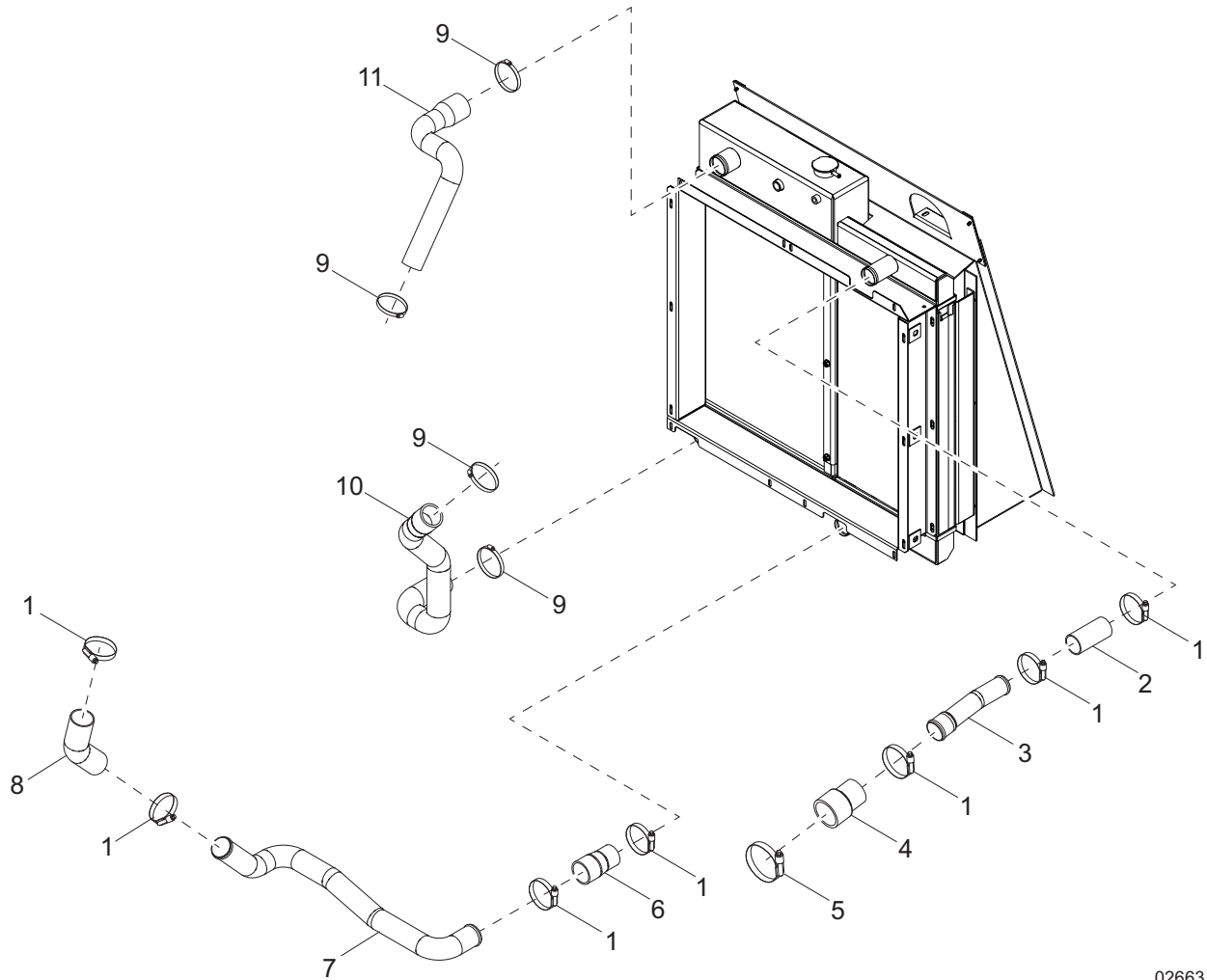


02067

COOLING SYSTEM ASSEMBLY

Item	Part No.	Qty	Description	Notes
1	38476B	1	Assembly, bulkhead	
2	60507	6	Screw, .312-18 x 1.0 standard hex, SS	
3	60701	12	Washer, .312 split lock, SS	
4	60340	12	Washer, .312 flat .875/.040, SS	
5	60687	6	Screw, .312-18 x .750 standard hex, SS	
6	10000036078	1	Foam, under radiator	
7	62032	1	Valve, ball - .375NPTF, mini	
8	19180	1	Fitting, strt - .375MNPT x .312 barb	
9	14216	2	Clamp, hose - SAE (.21-.62) mini	
10	50018	.85 ft	Hose, fuel - .312 ID, 50 psi, SAE 30R7	
11	52643B	1	Guard, right	
12	69668	10	Screw, .312-18 x .750 button head, G5	
13	60161	16	Nut, .250-20 serrated flange, G5	
14	37471B	6	Bracket, fan guard	
15	15425	6	Nut, .312-18 cage	
16	60616	6	Screw, .312-18 x .750 serrated flange hex, G5	
17	52608B	1	Shroud, radiator - bottom	
18	38505B	1	Panel, fan shroud - right	
19	60649	1	Clamp, tubing .750 heavy-duty	
20	62132	2	Insert, threaded - .250-20 splined, .027-.165	
21	60175	18	Screw, .250-20 x .500 serrated flange hex, G5	
22	26211B	1	Bracket, overflow jug	
23	24952	1	Jug, overflow - 2.5 qt	
24	19714	1	Cap, overflow jug	
25	63192	2	Clamp, crimping band - .464 in	
26	50017	.85 ft	Hose, fuel .250 ID 50 PSI SAE 30R7	
27	38504B	1	Panel, fan shroud - left	
28	52642B	1	Guard, left	
29	52607B	1	Shroud, radiator - top	
30	68206	1	Sensor, low coolant - wet sinking	
31	60776	1	Fitting, plug - .250NPT hex flush mount, brass	
32	19219	1	Cap, radiator	
33	51315	1	Radiator, 12.5 in. CAC, 16.5 in. rad	

COOLING SYSTEM HOSES

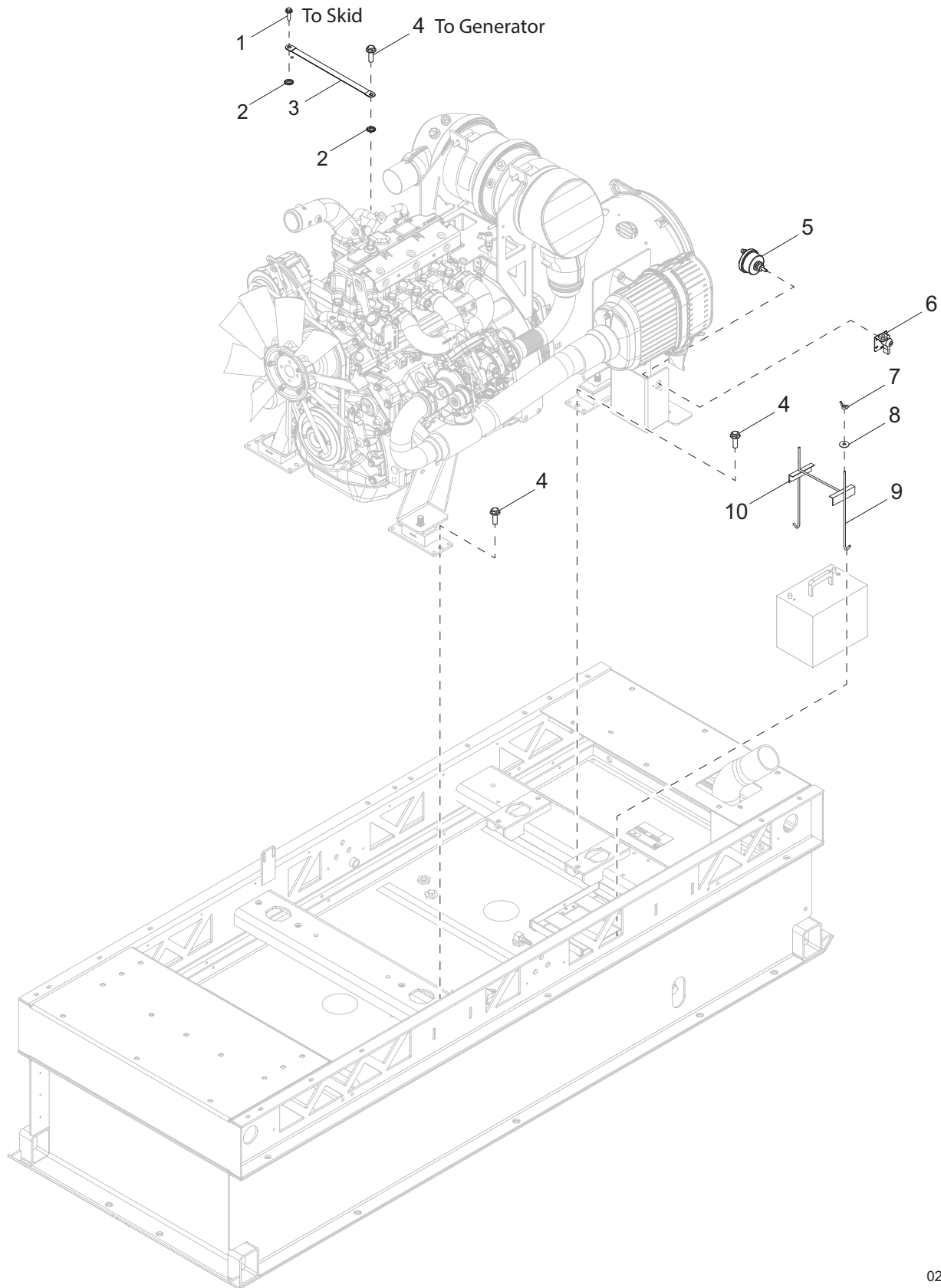


02663

COOLING SYSTEM HOSES

Item	Part No.	Qty	Description	Notes
1	60660	7	Clamp, hose - constant torque 1.75-2.625	
2	33912	1	Hose, CAC - 1.75 x 4.0 long	
3	52672	1	Pipe, CAC - upper	
4	22060	1	Hose, CAC - 2.0-2.50 x 4.0 long	
5	60666	1	Clamp, hose - constant torque 2.25-3.125	
6	27993	1	Hose, CAC - 1.75-2.0 x 4.0 long	
7	52670	1	Pipe, CAC - lower	
8	32155	1	Hose, CAC - 2.0 x 45°	
9	60316	4	Clamp, hose - SAE 032 (1.56-2.50)	
10	52667	1	Hose, radiator - lower	
11	52666	1	Hose, radiator - upper	

ENGINE AND GENERATOR TO SKID ASSEMBLY

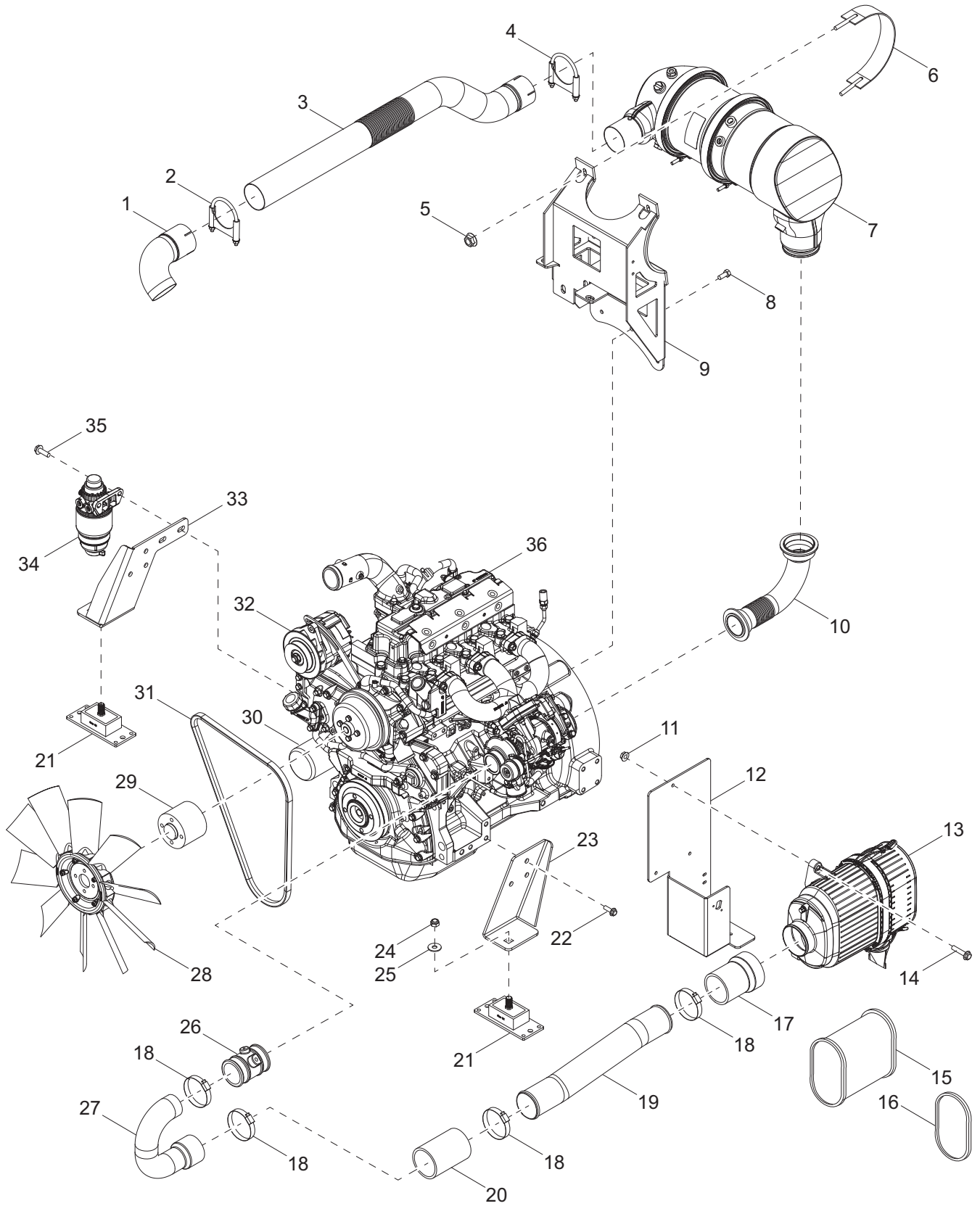


02664

ENGINE AND GENERATOR TO SKID ASSEMBLY

Item	Part No.	Qty	Description	Notes
1	60353	1	Screw, .375-16 x 1.0 flange hex, self-tapping, G2	
2	60053	4	Washer, .375 external star	
3	19042	1	Strap, braided ground - 10 in	
4	60018	9	Screw, M10-1.50 x 20 serrated flange hex, class 90	
5	65498	1	Switch, disconnect	
6	65499	1	Switch, lockout lever	
7	60090	2	Nut, .250-20 wing, G5	
8	60089	2	Washer, .265 fender 1.250/.060	
9	60820	2	Bolt, J - .250-20 x 9.0	
10	14682	1	Bracket, battery hold-down	

ENGINE ASSEMBLY

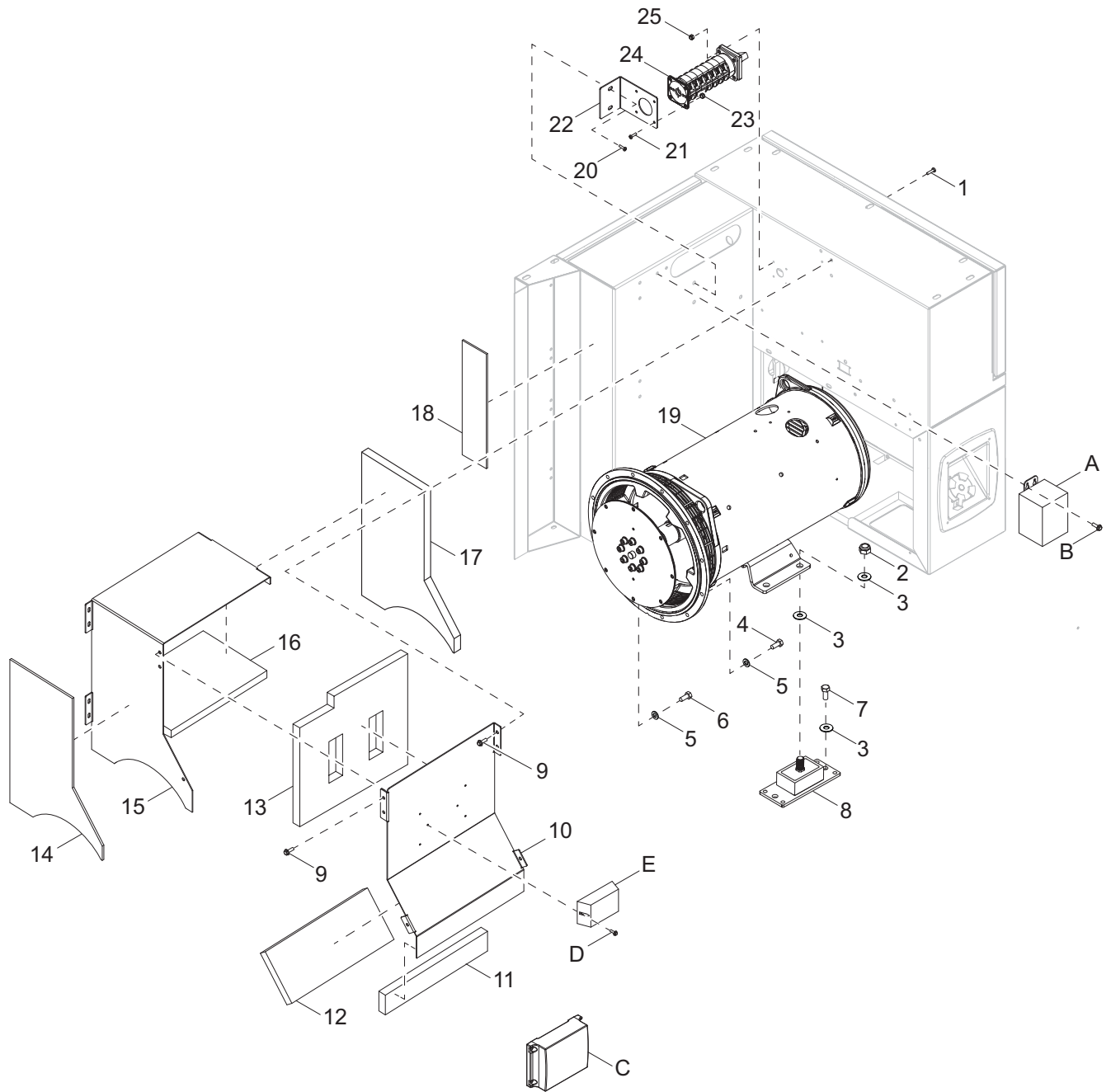


02665

ENGINE ASSEMBLY

Item	Part No.	Qty	Description	Notes
1	53175	1	Pipe, exhaust 3.00 - 90° - short	
2	18821	1	Clamp, muffler 3.00	
3	52664	1	Pipe, exhaust - filter outlet	
4	52359	1	Clamp, V-band 3.66 ID	
5	60095	4	Nut, .312-18 serrated flange	
6	52965	2	Strap, DPF	
7	N/A	1	Filter, exhaust	
8	60018	3	Screw, M10-1.50 x 20 serrated flange hex	
9	52874B	1	Weldment, DOC/DPF	
10	51055	1	Weldment, turbo exhaust out	
11	60095	3	Nut, .312-18 serrated flange hex	
12	52631B	1	Bracket, air filter	
13	52736	1	Assembly, air filter	
14	60534	3	Screw, .312-18 x 1.750 serrated flange hex	
15	68894	1	Element, air filter-primary	
16	68895	1	Element, air filter-secondary	
17	52630	1	Hose, air intake	
18	60316	4	Clamp, hose SAE 032 (1.56-2.50)	
19	52598	1	Pipe, air filter outlet	
20	51129	1	Hose - air intake	
21	52944	2	Isolator, rubber 360 lbs axial load - rectangular	
22	60072	6	Screw, M12-1.75 x 25 serrated flange hex, G10.9	
23	53239B	1	Bracket, engine mount - left	
24	69802	2	Nut, M16-2.0 nylock, G10	
25	60193	2	Washer, M16 flat	
26	10000037596	1	Air Intake JD	
27	38519	1	Pipe, air filter inlet	
28	24933	1	Fan, pusher - 20.00 CW	
29	38490	1	Spacer, fan	
30	29487	1	Filter, oil	
31	51201	1	Belt, fan	
32	51205	1	Alternator	
33	53238B	1	Bracket, engine mount - right	
34	10000037567	1	Assembly, fuel filter	
35	60087	2	Screw, M6-1.00 x 16 serrated flange hex, G8.8	
36	37692	1	Engine, Deere 3029HFG03	

GENERATOR ASSEMBLY

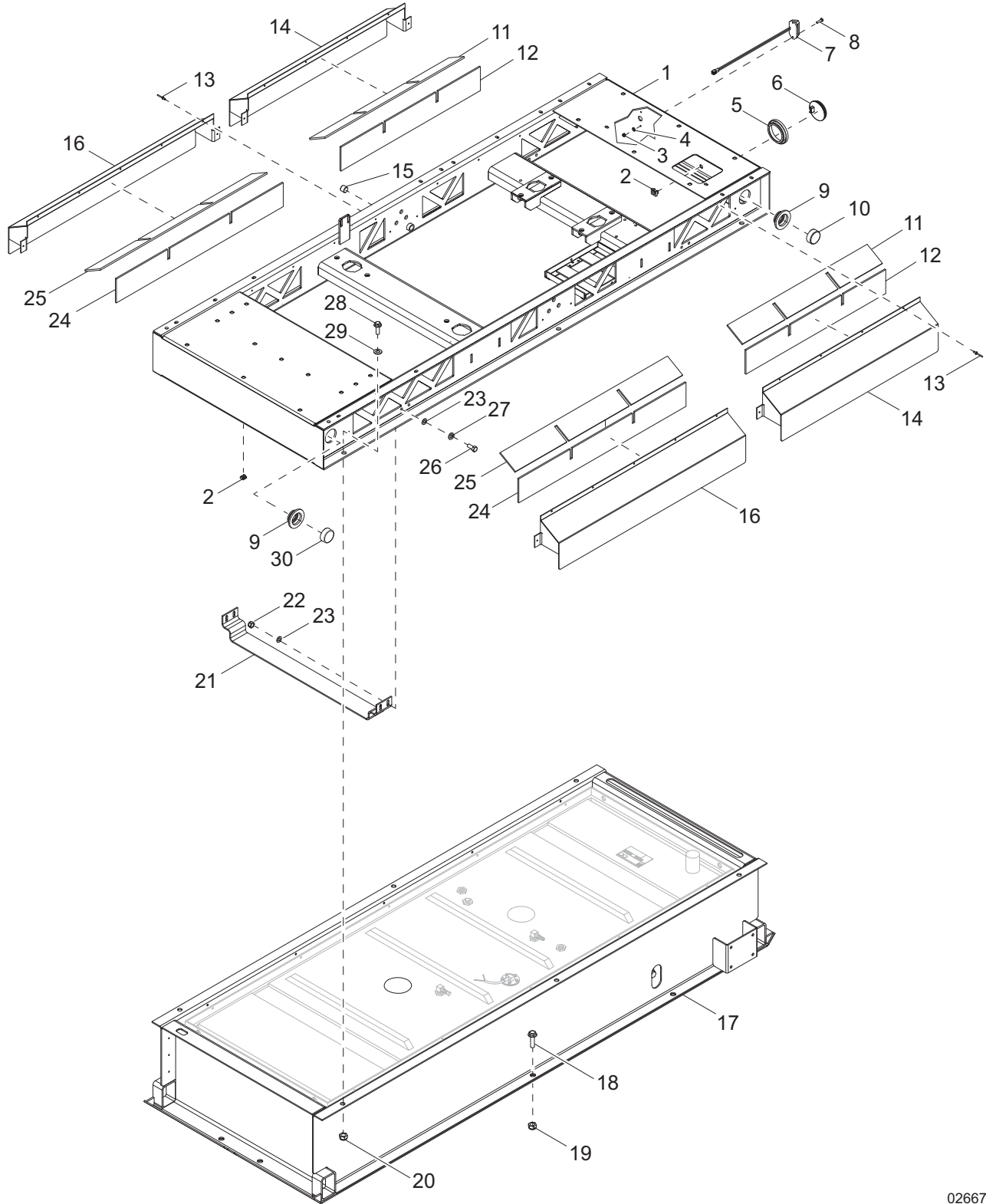


02666

GENERATOR ASSEMBLY

Item	Part No.	Qty	Description	Notes
1	60046	4	Screw, 6-32 x .750 pan Phillips, G2	
2	62221	2	Nut, .500-13 nylock, G5	
3	60416	4	Washer, .500 flat 1.375/.090	
4	60055	12	Screw, M10-1.50 x 35 standard hex, G10.9	
5	60026	20	Washer, M10 split lock	
6	63338	8	Screw, M10-1.50 x 20 hex, G10.9	
7	61101	2	Screw, .500-13 x 3.50 standard hex, G8	
8	52944	2	Isolator, neoprene, 360 lbs- rectangle	
9	60175	12	Screw, .250-20 x .500 serrated flange hex, G5	
10	52387W	1	Panel, generator cover - front	
11	10000036132	1	Foam, generator box - front bottom	
12	10000036121	1	Foam, generator box - front middle	
13	10000036928	1	Foam, generator box - front top	
14	10000036084	1	Foam, generator box - ceramic	
15	52388W	1	Panel, generator cover - side-top	
16	10000036140	1	Foam, generator box - top	
17	10000036122	1	Foam, generator box - side	
18	10000036103	1	Foam, AC box - ceramic	
19	38481	1	Generator, Marathon, 286PSL1701, SAE #3	
20	60616	2	Screw, .312-18 x .750 serrated flange hex, G5	
21	60277	4	Screw, 10-32 x .500 pan Phillips, G2	
22	35391W	1	Bracket, phase switch	
23	60061	4	Nut, 10-32 nylock	
24	37193	1	Switch, phase - 80A, 3 position (Y,y,Z)	
25	60728	4	Nut, 6-32 nylock, G5	
--	68162	1	Wire group - AC, 3 position	
--	65519	1	Block, terminal - 4 pole, stud type	
--	28628B	1	Plate, terminal block mounting	
--	10000036968	1	Assembly, generator	
<i>Buck Transformer: (if equipped)</i>				
A	21487	1	Transformer, 1.13:1 1-phase, 500VA (standard buck)	
B	60528	3	Screw, .250-20 x .625 serrated flange hex, G5	
--	68193	1	Wire group - buck transformer	
<i>Battery Chargers: (if equipped)</i>				
C	66212	1	Charger, battery - 2 - 5A/1 - 10A, 3 stage, 2 output	
D	60419	2 or 4	Screw, 6-32 x .500 flange hex, G2, self-tapping w/slot	Qty 2 for item E & qty 4 for item C
E	66212	1	Charger, battery - 2A, 3 stage, 1 output	
<i>4 Position Phase Switch: (if equipped)</i>				
--	37194	1	Switch, phase - 80A, 4 position (Y,y,D,Z)	
--	68163	1	Wire group - AC, 4 position	
<i>4 Position Phase Switch - 600V: (if equipped)</i>				
--	37144	1	Wire group - 80A, 4 position (600Y,Y,y,Z)	

SKID ASSEMBLY

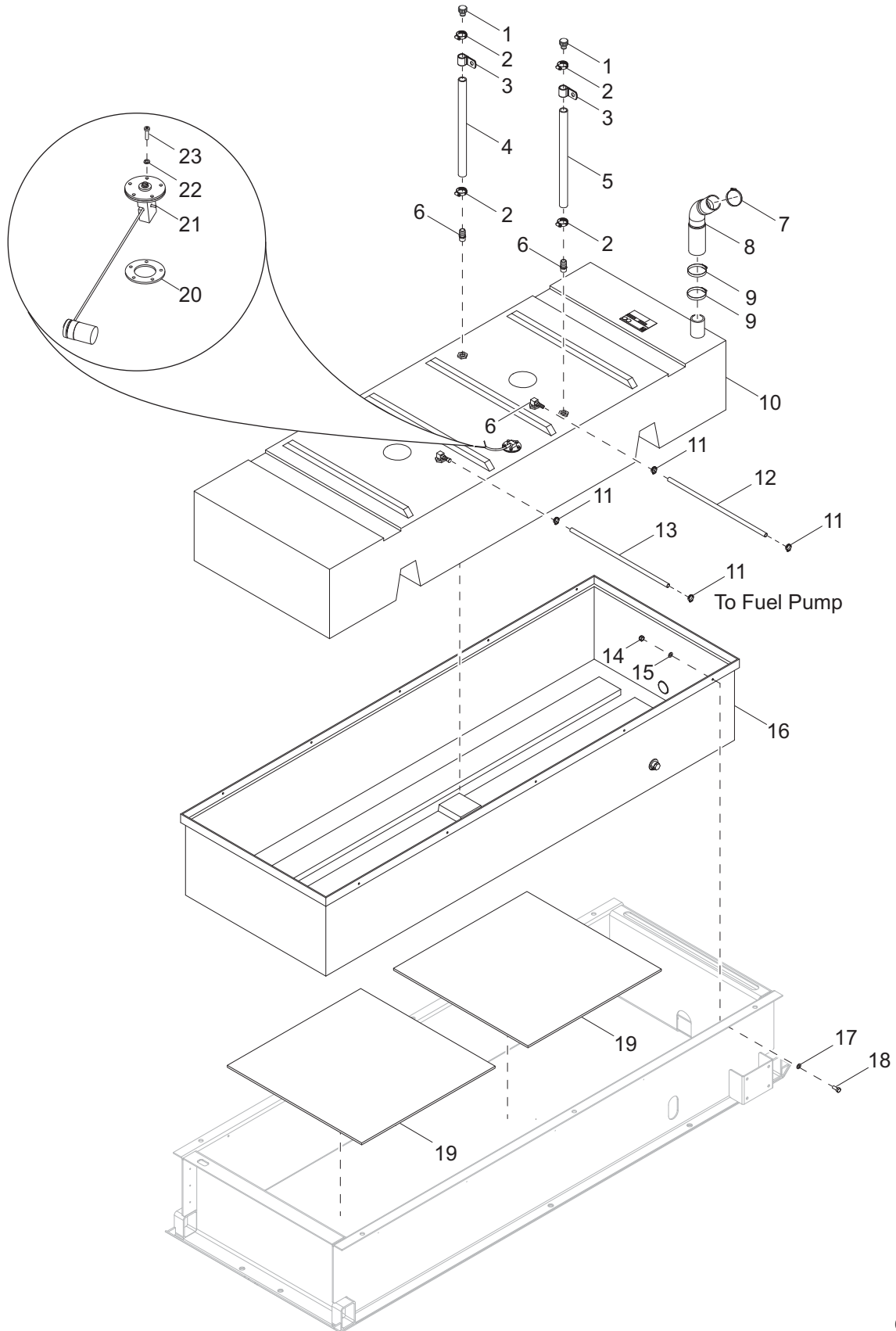


02667

SKID ASSEMBLY

Item	Part No.	Qty	Description	Notes
1	37827B	1	Weldment, mini skid	
2	15425	12	Nut, .312-18 cage	
3	60270	2	Nut, 8-32 nylock, class 6	
4	60269	2	Washer, #8 flat .433/.036	
5	10221	2	Grommet, rear light, rubber - 4.5 in	
6	66701	2	Light, rear tail/turn, round 4 in. - no grommet	
7	36963	1	Assembly, license plate light	
8	60694	2	Screw, 8-32 x .750 pan Phillips, SS	
9	66394	4	Grommet, sealed beam light, rubber - 2.0 in	
10	66703	2	Light, clearance, no grommet, 2.0 in. - red LED	
11	10000036104	2	Foam, rain shield - small top	
12	10000036116	2	Foam, rain shield - small bottom	
13	60260	26	Rivet, .188 diameter x .375 to .500 grip, SS	
14	51284B	2	Weldment, rain shield - short	
15	18394	2	Fitting, plug - .500NPT x internal hex	
16	51285B	2	Weldment, rain shield - long	
17	36921B	1	Weldment, lower skid	
18	63111	6	Screw, .750-10 x 2.250 flg hex, G8	
19	60584	6	Nut, .750-10 nylock, G5	
20	60240	6	Nut, .625-11 nylock, G5	
21	36985B	2	Bracket, fuel tank tie down	
22	60303	8	Nut, .312-18 nylock, G2	
23	60340	16	Washer, .312 flat .875/.040, SS	
24	10000036105	2	Foam, rain shield - large bottom	
25	10000036141	2	Foam, rain shield - large top	
26	60507	8	Screw, .312-18 x 1.0 standard hex, SS	
27	60701	8	Washer, .312 split lock, SS	
28	61069	6	Screw, .625-11 x 1.750 standard hex, G5	
29	60193	6	Washer, M16 flat	
30	66702	2	Light, clearance, no grommet, 2.0 in. - amber LED	
--	67856	1	Harness, trailer extension assembly - 100 in	
--	68281	1	Harness, trailer lights - LED	

FUEL TANK ASSEMBLY

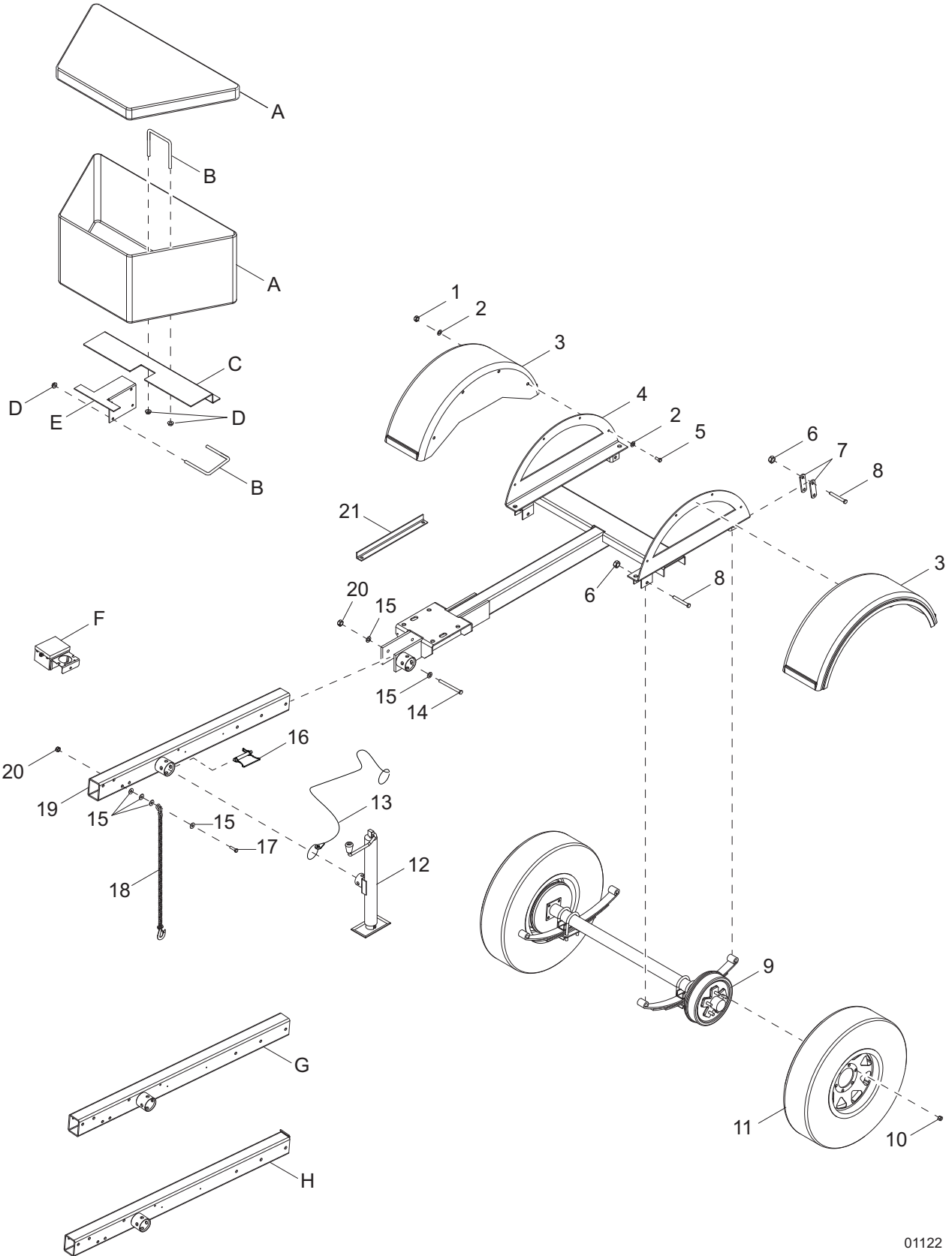


02668

FUEL TANK ASSEMBLY

Item	Part No.	Qty	Description	Notes
1	26379	2	Vent, plastic fuel - 1.0 ID	
2	19338	4	Clamp, hose - SAE 016 (.68-1.50)	
3	60716	2	Clamp, tubing - 1.50 light duty	
4	50019	3 ft	Hose, fuel - 1.0, SAE 20R3	
5	50019	3 ft	Hose, fuel - 1.0, SAE 20R3	
6	25496	2	Fitting, strt - .750MNPT x 1.0 barb, brass	
7	19336	1	Clamp, hose - SAE 044 (2.31-3.25)	
8	37630	1	Hose, fuel fill	
9	18663	2	Clamp, hose - SAE 060 (3.31-4.25)	
10	37052	1	Tank, fuel - 100 gal. poly	
11	19453	4	Clamp, hose - SAE 006 (.37-.87)	
12	50051	2 ft	Hose, fuel - .375 ID, 50 psi, SAE 30R7	
13	50051	2.33 ft	Hose, fuel - .375 ID, 50 psi, SAE 30R7	
14	60144	10	Nut, .250-20 nylock, G5	
15	60243	10	Washer, .250 flat .735/.060	
16	37053	1	Pan, 24 hr containment, poly	
17	60696	10	Washer, .250 flat .625/.050, SS	
18	60620	10	Screw, .250-20 x 1.0 standard hex, SS	
19	10000036134	2	Foam, neoprene, containment liner	
20	22323	1	Gasket, fuel sender	
21	36243	1	Fuel sender	
22	60252	5	Washer, #10 split lock	
23	60062	5	Screw, 10-32 c .750 pan Phillips, G2	
--	60479	2	Screw, .250-20 x 1.0 serrated flange hex, G5	To attach item 3
--	60161	2	Nut, .250-20 serrated flange, G5	To attach item 3

TRAILER ASSEMBLY - SINGLE AXLE

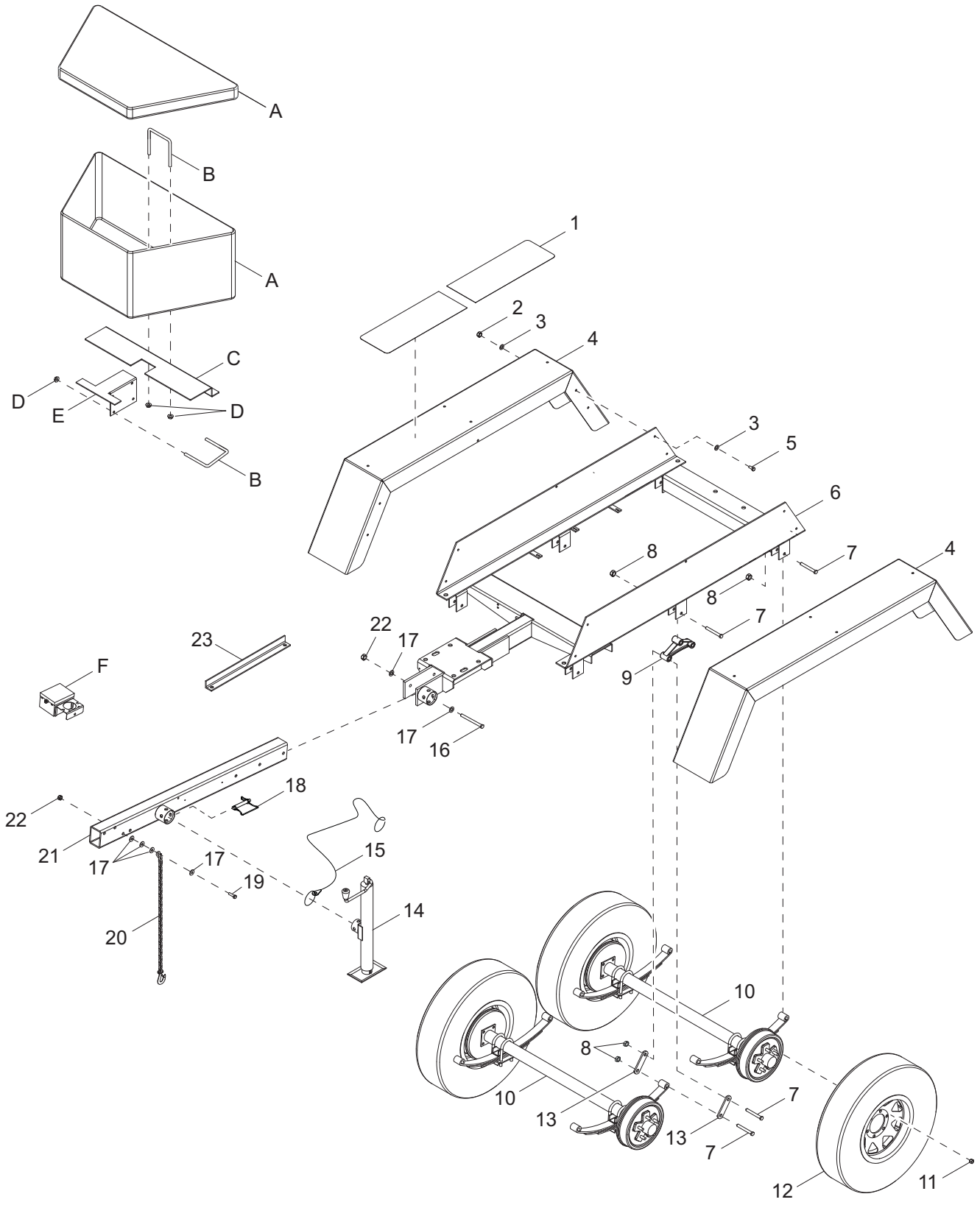


01122

TRAILER ASSEMBLY - SINGLE AXLE

Item	Part No.	Qty	Description	Notes
1	60358	8	Nut, .375-16 nylock, G5	
2	60698	16	Washer, .375 flat .875/.040, SS	
3	11381	2	Fender, plastic - single, 14 in. tire	
4	37092B	1	Weldment, trailer chassis	
5	61036	8	Screw, .375-16 x 1.25 standard hex, SS	
6	60504	6	Nut, .562-18 lock hex, G5	
7	19637	4	Plate, shackle bracket - 3.125 in	
8	60503	6	Screw, shackle - .562-18 x 3.0 standard hex, G5	
9	51098	1	Assembly, axle	
10	60096	10	Nut, .500-20 lug, G5	
11	18377B	2	Wheel, ST225/75R15, 2540 lb	
12	13051	1	Jack, top wind - 2000 lb, tube mounted	
13	12647	1	Cable, tether - jack pin and ground rod cover	
14	61104	3	Screw, .500-13 x 5.50 standard hex, G8	
15	60416	14	Washer, .500 flat 1.375/.090	
16	23256	1	Pin, jack - 2000 lb tube mounted	
17	60376	2	Screw, .500-13 x 4.50 standard hex, G5	
18	23367	2	Chain, safety - 7800 lbs rated	
19	24812B	1	Weldment, tongue - non-adjustable	
20	62221	5	Nut, .500-13 nylock, G5	
21	24691B	1	Brace, tongue shipping	
--	61103	1	Screw, .500-13 x 1.750 serrated flange hex, G8	To attach item 21
--	62221	1	Nut, .500-13 nylock, G5	To attach item 21
<i>Toolbox: (if equipped)</i>				
A	32214	1	Toolbox, trailer front - 49 x 15 x 18.5 (L x W x H) poly	
B	62021	2	Bolt, U - .375-16 x 4.0 x 4.625	
C	37693B	1	Bracket, toolbox mount	
D	60145	4	Nut, .375-16 serrated flange, G5	
E	37694B	1	Bracket, toolbox mount	
<i>Electric Brakes: (if equipped)</i>				
F	19417	1	Breakaway kit	
--	19438	1	Harness, wiring - electric brakes	
--	65899	1	Harness, electric brake	
<i>Adjustable Hitch Tongues: (if equipped)</i>				
G	30931B	1	Weldment, tongue w/support plate - electric brake	
H	35075B	1	Weldment, flip tongue - surge brake	

TRAILER ASSEMBLY - TANDEM AXLE

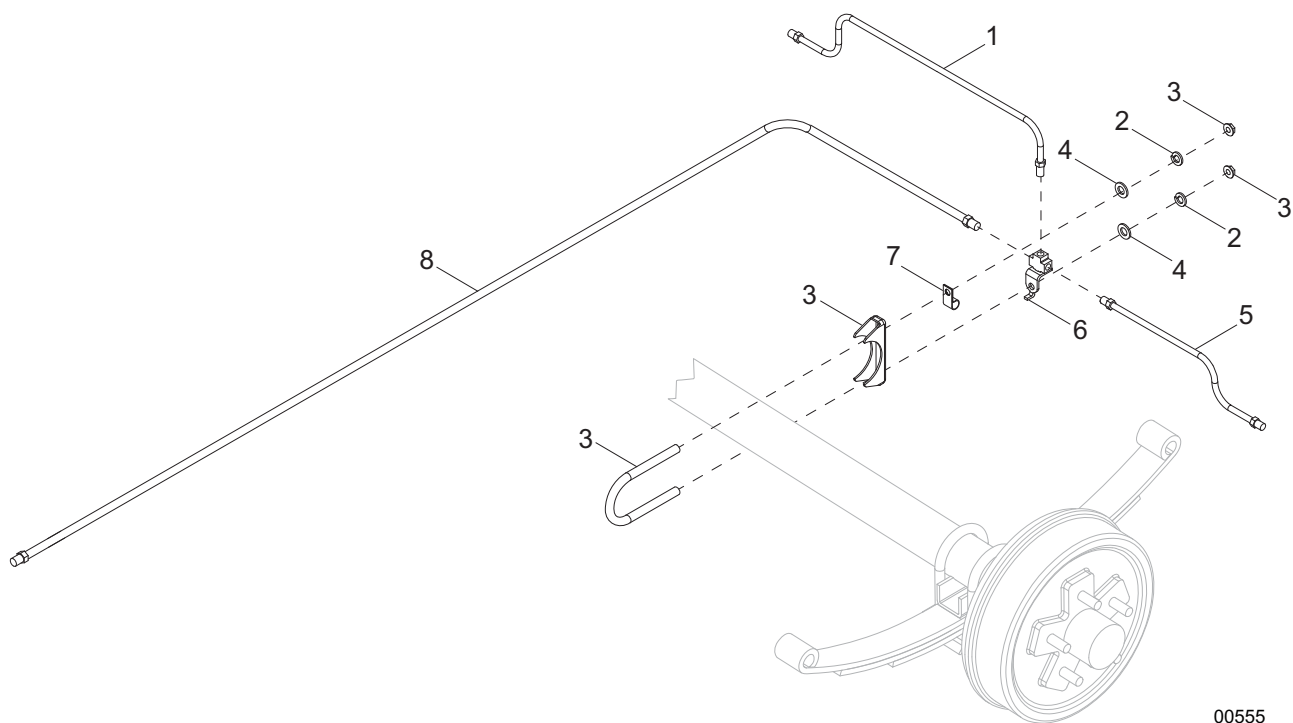


01214

TRAILER ASSEMBLY - TANDEM AXLE

Item	Part No.	Qty	Description	Notes
1	22398	4	Pad, slip resistant - 10.0 x 28.0	
2	60358	10	Nut, .375-16 nylock, G5	
3	60698	20	Washer, .375 flat .875/.040, SS	
4	22976B	2	Weldment, fender tandem	
5	61036	10	Screw, .375-16 x 1.25 standard hex, SS	
6	24789B	1	Weldment, flip tongue trailer - tandem	
7	60503	14	Screw, shackle, .562-18 x 3.0 standard hex, G5	
8	60504	14	Nut, .562-18 lock, G5	
9	40545	2	Equalizer, tandem axle - 5.625 centers	
10	19421	2	Assembly, axle	
11	60096	20	Nut, .500-20 lug, G5	
12	15540	4	Wheel, ST205/75R15, 1598 lb - 6 pr	
13	19637	8	Plate, shackle bracket - 3.125 in	
14	13051	1	Jack, top wind - 2000 lb, tube mounted	
15	12647	1	Cable, tether - jack pin and ground rod cover	
16	61104	3	Screw, .500-13 x 5.50 standard hex, G8	
17	60416	14	Washer, .500 flat 1.375/.090	
18	23256	1	Pin, jack - 2000 lb, tube mounted	
19	60376	2	Screw, .500-13 x 4.50 standard hex, G5	
20	23367	2	Chain, safety - 7800 lbs rated	
21	30931B	1	Weldment, tongue w/support plate	
22	62221	5	Nut, .500-13 nylock, G5	
23	24691B	1	Brace, tongue shipping	
--	61103	1	Screw, .500-13 x 1.750 serrated flange hex, G8	To attach item 23
--	62221	1	Nut, .500-13 nylock, G5	To attach item 23
<i>Toolbox: (if equipped)</i>				
A	32214	1	Toolbox, trailer front - 49 x 15 x 18.5 (L x W x H) poly	
B	62021	2	Bolt, U - .375-16 x 4.0 x 4.625	
C	37693B	1	Bracket, toolbox mount	
D	60145	4	Nut, .375-16 serrated flange, G5	
E	37694B	1	Bracket, toolbox mount	
<i>Electric Brakes: (if equipped)</i>				
F	19417	1	Breakaway kit	
--	65821	1	Harness, electric brake	

TRAILER BRAKE LINES - SINGLE AXLE

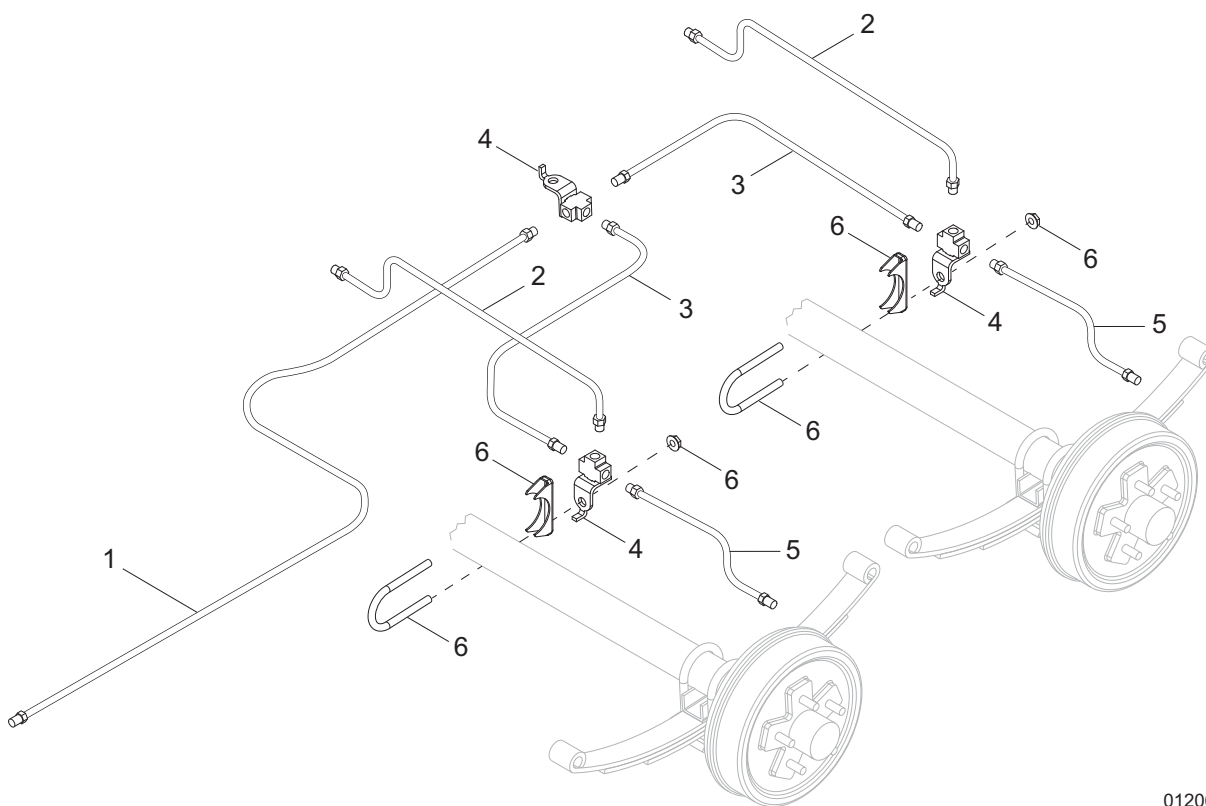


00555

TRAILER BRAKE LINES - SINGLE AXLE

Item	Part No.	Qty	Description	Notes
1	23169	1	Line, brake - .188 x 12.0	
2	60341	2	Washer, M8 split lock, SS	
3	61064	1	Clamp, muffler - 3.0 light duty	
4	60166	2	Washer, M8 flat	
5	40494	1	Line, brake - .188 x 30.0	
6	19252	1	Fitting, strt - .188 brake line T w/bracket, all female	
7	61010	1	Clamp, tubing - .375 heavy duty, .375 bolt	
8	24688	1	Hose, brake - .188 x 136.0, male/male	
--	60231	6	Rivet, .188 diameter x .375 to .500 grip	
--	15626	6	Clamp, tubing - .375 light duty	
--	22340	1	Fitting, bushing - 1.0 OD x .750 ID	

TRAILER BRAKE LINES - TANDEM AXLE

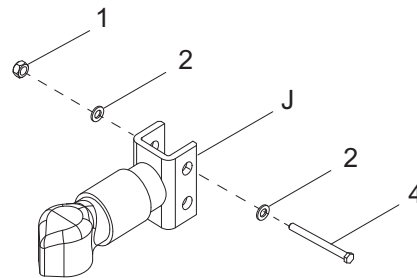
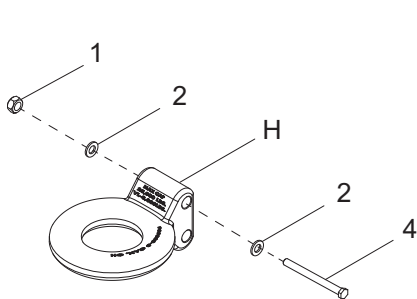
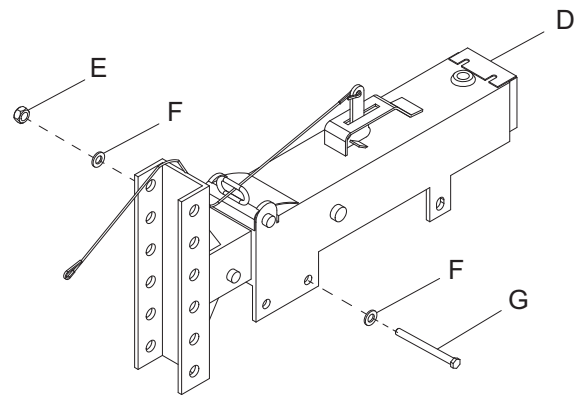
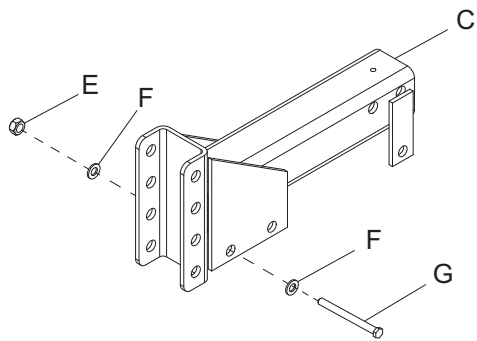
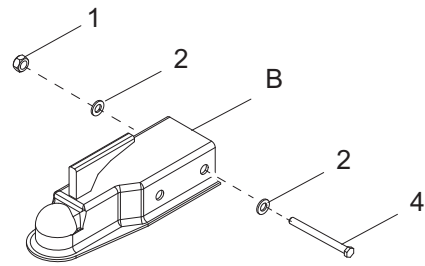
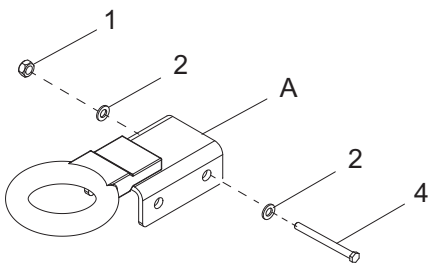
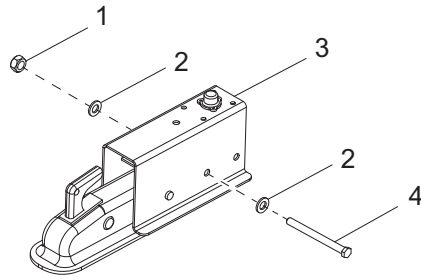


01206

TRAILER BRAKE LINES - TANDEM AXLE

Item	Part No.	Qty	Description	Notes
1	24688	1	Hose, brake - .188 x 136.0, male/male	
2	40495	2	Line, brake - .188 x 20.0	
3	40817	2	Hose, brake - .188 x 33.0, male/male	
4	19252	3	Fitting, strt - .188 brake line T w/bracket, all female	
5	40494	2	Line, brake - .188 x 30.0	
6	61028	2	Clamp, muffler - 2.50 light duty	
--	22340	4	Fitting, bushing - 1.0 OD x .750 ID	
--	15626	5	Clamp, tubing - .375 light duty	
--	60231	3	Rivet, .188 diameter x .375 to .500 grip	
--	60684	2	Screw, .250-20 x .875 standard hex, SS	
--	60166	2	Washer, M8 flat	
--	60144	2	Nut, .250-20 nylock, G5	

TRAILER HITCH OPTIONS

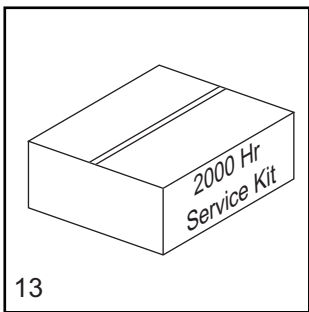
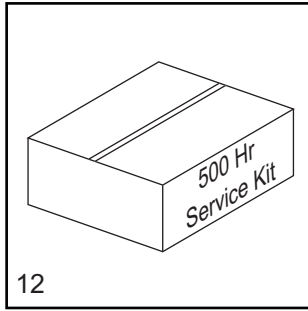
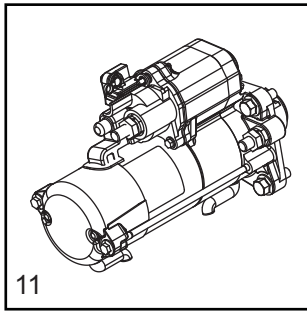
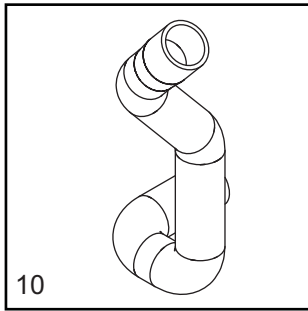
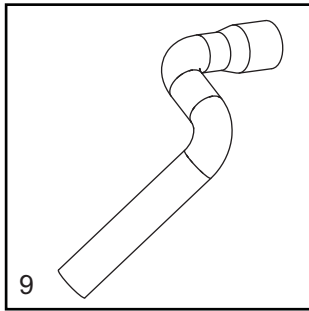
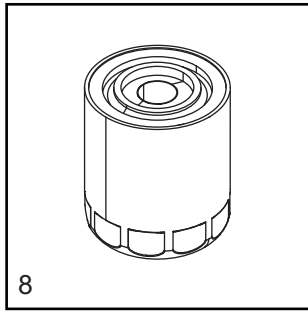
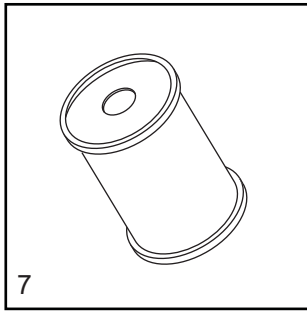
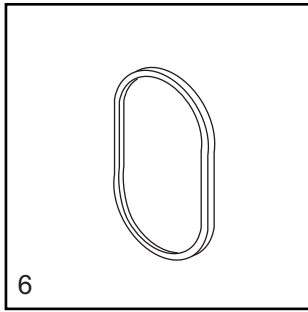
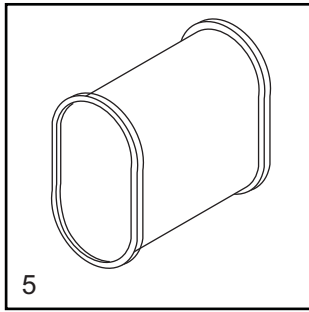
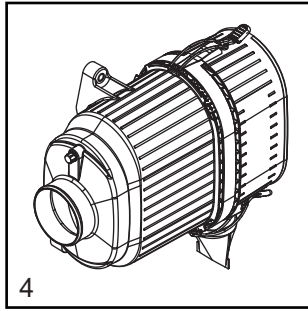
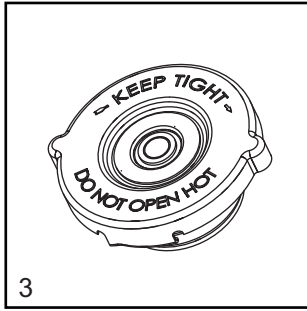
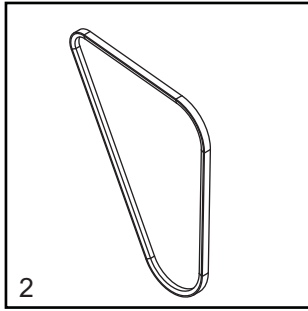
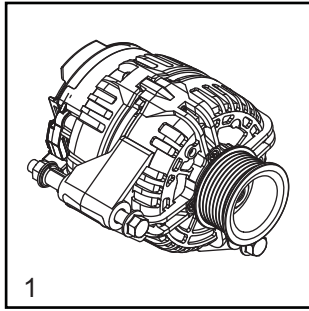


01123

TRAILER HITCH OPTIONS

Item	Part No.	Qty	Description	Notes
1	62221	2	Nut, .500-13 nylock, G5	
2	60309	4	Washer, .500 flat 1.060/.090	
3	24304	1	Actuator, hydraulic surge brake - 2 in. ball, 6000 lb	
4	61099	2	Screw, .500-13 x 5.0 standard hex, G8	
--	41762	1	O-ring - 24 mm	
<i>Non-Adjustable Electric Brake Hitches: (if equipped)</i>				
A	11032B	1	Weldment, Lunette ring - 3.0 ID	
B	23162	1	Coupler, 2.0 ball/3.0 channel - 5000 lb	
<i>Adjustable Hitches: (if equipped)</i>				
C	19379B	1	Weldment, hitch - 4 position, electric brake	
D	40529	1	Actuator, hydraulic surge brake - 7500 lb, surge brake	
E	62221	3	Nut, .500-13 nylock, G5	
F	60309	6	Washer, .500 flat 1.060/.090	
G	61099	3	Screw, .500-13 x 5.0 standard hex, G8	
H	19335B	1	Coupler, Lunette ring - 3.0 ID	Requires item C or D
J	19518	1	Coupler, 2.0 ball	Requires item C or D
<i>Adapters - Electric Brake: (if equipped)</i>				
--	65593	1	Adapter, trailer - 4 pin and 2 pin to 6 pin	
--	65583	1	Adapter, trailer - round 6 pin to round 7 spade	Requires 65593
<i>Adapters - Surge Brake: (if equipped)</i>				
--	65463	1	Adapter, trailer - flat 4 pin to round 6 pin	
--	65464	1	Adapter, trailer - flat 4 pin to round 7 pin	
--	65465	1	Adapter, trailer - flat 4 pin to round 7 spade	

RECOMMENDED SPARE PARTS - ENGINE AND SERVICE KITS



RECOMMENDED SPARE PARTS - ENGINE AND SERVICE KITS

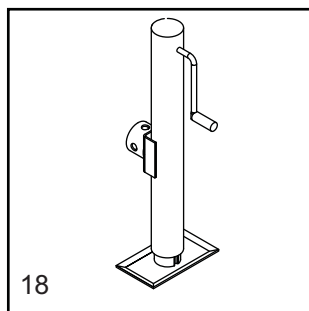
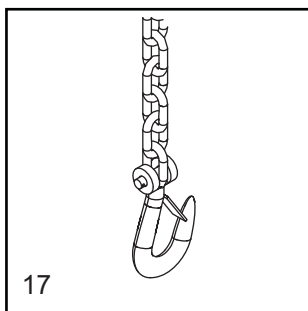
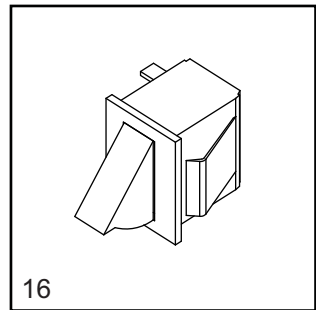
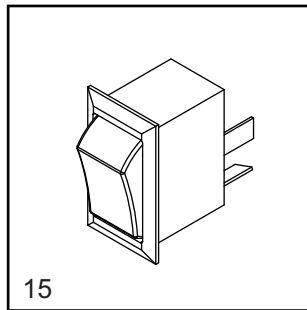
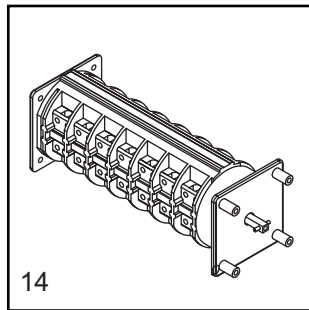
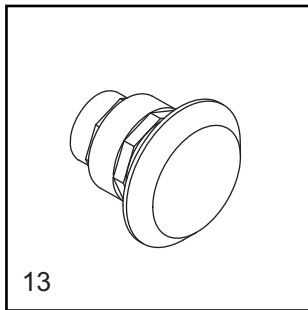
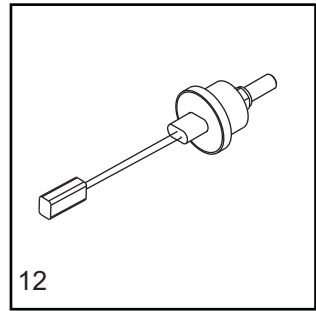
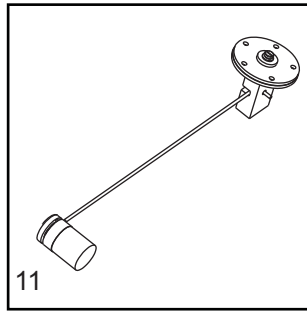
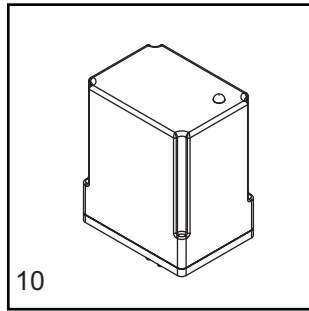
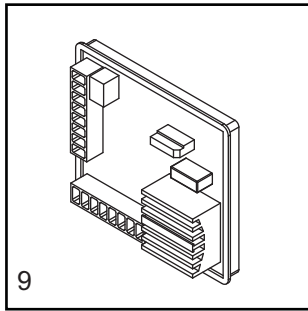
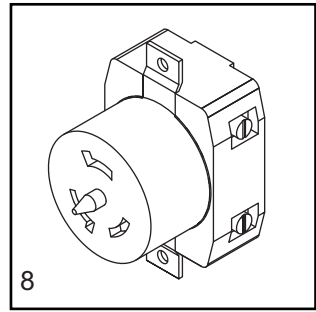
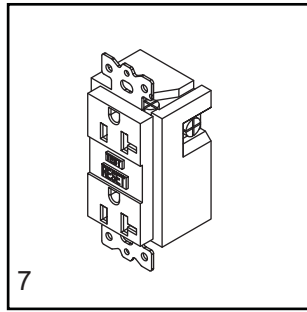
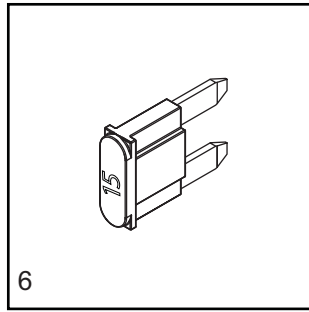
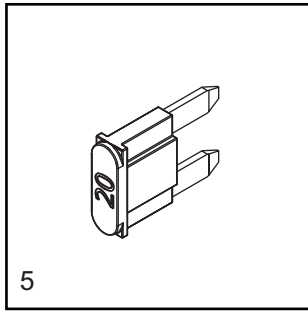
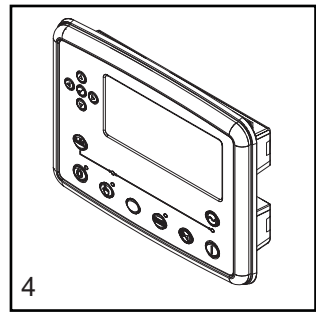
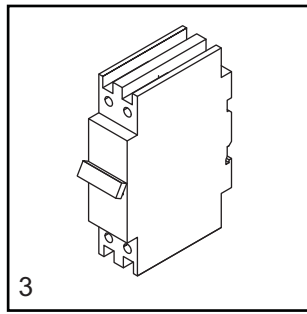
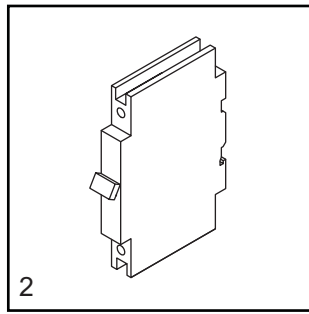
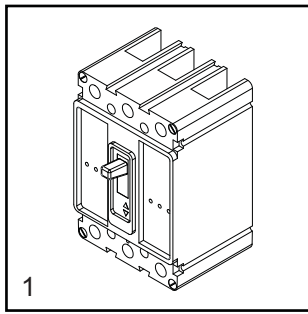
ENGINE

1. Alternator	51205
2. Belt, fan	51201
3. Cap, radiator	19219
4. Filter, air - housing assembly	52736
5. Filter, air - primary element	68894
6. Filter, air - secondary element	68895
7. Filter, fuel - element	10000037567
8. Filter, oil	29487
9. Hose, radiator - lower	52667
10. Hose, radiator - upper	52666
11. Starter	51203

SERVICE KITS

12. 500 hour kit	SK326
Includes: Air Filter-primary 68894, Air Filter-secondary 68895, Fuel Filter Element 10000037567, Engine Belt 51201, and Oil Filter 29487	
13. 2000 hour kit	SK327
Includes: Air Filter-primary 68894 (4), Air Filter-secondary 68895 (4), Fuel Filter Element 10000037567 (8), Engine Belt 51201 (2), and Oil Filter 29487 (8)	

RECOMMENDED SPARE PARTS - ELECTRICAL AND TRAILER



03534

RECOMMENDED SPARE PARTS - ELECTRICAL AND TRAILER

ELECTRICAL

1. Breaker, main	65446
2. Breaker, 20A.....	18091
3. Breaker 50A.....	18092
4. Controller, programmed.....	Call
5. Fuse, 20 A	35560
6. Fuse, 15A	68204
7. Receptacle, 120V/20A GFI	14130
8. Receptacle, 240V/50A twist lock	18089
9. Regulator, voltage.....	68015
10. Relay (Optional).....	66455
11. Sender, fuel.....	36243
12. Sensor, low coolant	68206
13. Switch, E-stop assembly	34989SRV
14. Switch, phase - 3 position.....	37193
15. Switch, rocker	66995
16. Switch, trigger safety	66089

TRAILER

17. Chain, safety.....	23367
18. Jack, 2000 lb top wind	13051

Note: To order replacement controller, contact Generac Mobile Products with unit serial number

Part No. A0000393903 Rev. A 06/24/2021

©2021 Generac Mobile Products, LLC

All rights reserved.

Specifications are subject to change without notice.

No reproduction allowed in any form without prior written consent from Generac Mobile Products, LLC.

GENERAC | **MOBILE**

Generac Mobile Products, LLC
215 Power Drive, Berlin, WI 54923

GeneracMobileProducts.com | 800-926-9768 | 920-361-4442